

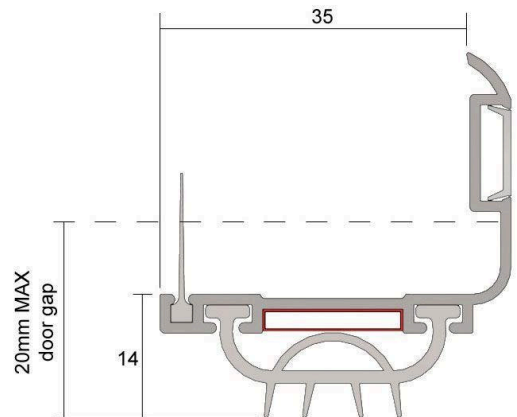


Kilargo - Fire Door Upgrade Seal FDBU20 - Clear Anodised Aluminium

LO-FDBU20

PRODUCT OPTIONS

Door Seal Length: 820mm
920mm
1220mm



DESCRIPTION

Retrofit intumescent fire door bottom upgrade seals.

Used to upgrade existing fire doors where door bottom gaps exceed the allowable 10mm as per AS1905/1.

Can provide up to 2 hours fire resistance when fitted to the bottom of proprietary fire doors.

Non compliant fire doors can be salvaged.

Avoids expensive door build-ups or door replacements.

Cost-effective solution.

Easy retro-fit installation.

No need to remove the door during installation.

These products consist of an anodised aluminium profile, flame retardant smoke, draught and light excluding silicone gasket and integral high performance intumescent fire seals.

To seal gap sizes up to 20mm maximum, under nom. 35mm and 45mm proprietary doors.

Standard lengths

820mm, 920mm, 1220mm

Colours

Clear Anodised (Silver) with grey gaskets

The FDBU20 is supplied with pre-drilled slotted holes and screws for easy application onto the bottom of door leaves.

Fully tested to AS1530 Part 4 for up to 2 hours on proprietary fire door assemblies in accordance with AS1905 Part 1.

Conforms with NCC Specification C3.4 smoke sealing requirements

NB: Check with your door manufacturer for approvals.

SPECIFICATION

MPN	FDBU20
Brand	Kilargo
Product Width	35mm
Product Finish or Colour	Clear Anodised (CA)
Product Material	Aluminium
Includes Fixing Screws	Yes



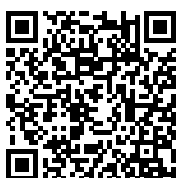
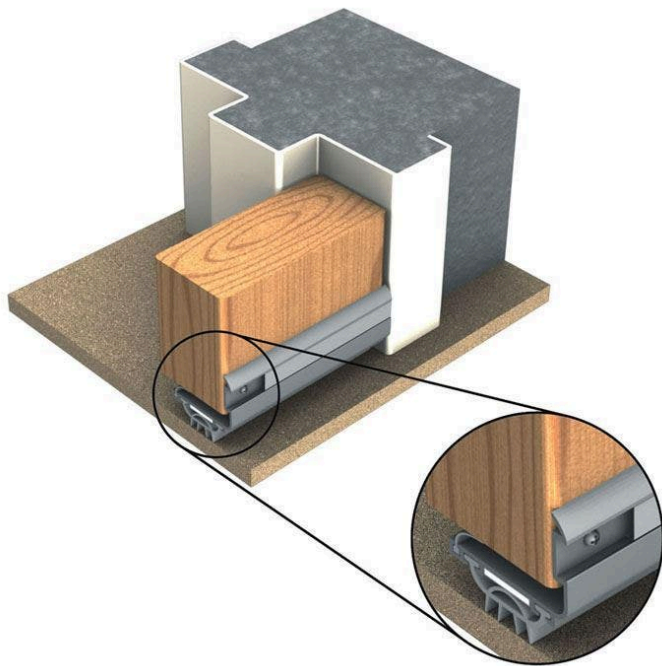
Kilargo - Fire Door Upgrade Seal FDBU20 - Clear Anodised Aluminium

Scan to view online and for additional product information , or call us on **1800 555 600**.

Print Date: 27/4/24

Fire Tested	Yes
Suitable for Smoke Doors	Yes
Acoustic Rated to AS1191 and ISO140.3	No
Suitable for Door Type	Timber Doors
Contains Intumescent Material	Yes
Seal Can Be Installed	Surface Fix
Gasket / Seal Colour	Grey
Gasket Material	Silicon
Min Door Thickness	35mm
Max Door Thickness	45mm
Max Door Gap	20mm
Self Adhesive	No
Product Warranty	2 Years

ADDITIONAL IMAGES



Kilargo - Fire Door Upgrade Seal FDBU20 - Clear Anodised Aluminium
Scan to view online and for additional product information , or call us on **1800 555 600**.

Print Date: 27/4/24