

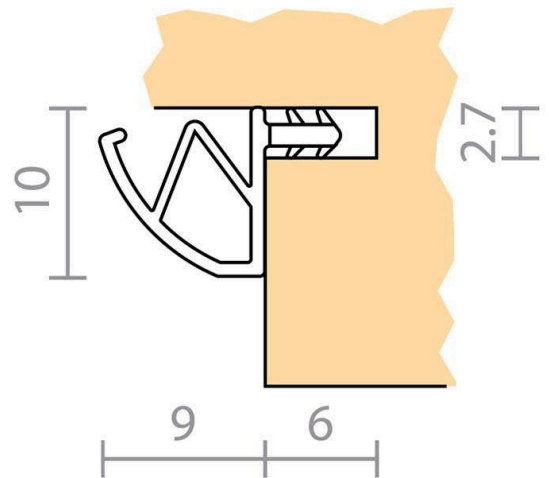


Raven RP650 TPE Weather Strip

RP650

PRODUCT OPTIONS

Roll Length:	24 Meters
	95 Meters
	100 Meters
Product Finish or Colour:	Black (BLK)
	Brown (BRN)
	White (WHT)



DESCRIPTION

A compression seal, made from co-extruded flame retardant TPE rubber.

Location: Aluminium, PVC or timber door and window frame grooves where dimensions suit.

Compression: 1mm to 3mm.

Finish: White, brown or black.

Fixing: Push in locking fit into a 2.7mm x 6mm deep kerf groove.

Sizes: 100m, 24m.

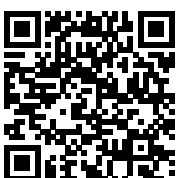
Approvals

Fire Flammability index less than or equal to 5 when tested to AS1530.3.

Energy NCC Pt. 3.12.3.3 & J3.4.

SPECIFICATION

MPN	B650
Brand	Raven
Product Height	10mm
Product Thickness	15mm
Product Material	TPE
Includes Fixing Screws	No
Fire Tested	No
Acoustic Rated to AS1191 and ISO140.3	Yes
Suitable for Smoke Doors	Yes
Suitable for Door Type	Timber Doors, PVC, Aluminium Doors
Bush Fire Attack Level	BAL<40
Contains Intumescent Material	No
Seal Can Be Installed	Rebated
Gasket Material	TPE
Min Door Gap	1mm
Max Door Gap	2mm
Self Adhesive	No
Product Warranty	2 Years

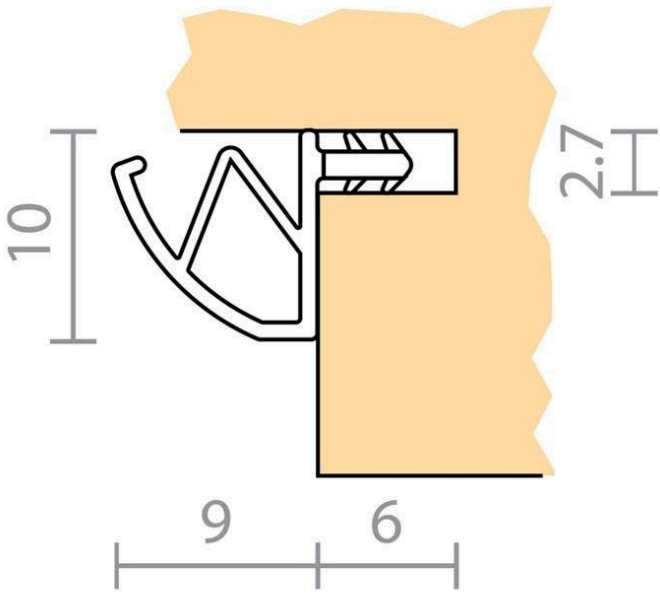


Raven RP650 TPE Weather Strip

Scan to view online and for additional product information , or call us on **1800 555 600**.

Print Date: 24/4/24

ADDITIONAL IMAGES



Raven RP650 TPE Weather Strip

Scan to view online and for additional product information , or call us on **1800 555 600**.

Print Date: 24/4/24