



# Sabre DL700 Digital Smart Lock - Black

SKU SAB-DL700-BLK

MPNSAB-DL700-BLK



## DESCRIPTION

The Sabre DL700 is a modern-day smart door lock ideal for your home or office or wherever convenient access to entry is required. The DL700 doesn't require any special cabling, it simply runs off 4 x AA Alkaline batteries. The smart design provides style while functions that include all of what a smart door lock should provide including illuminated code pad, fingerprint, key fob, Smart Phone app, emergency power and as a last resort key override. Installation is also easy!

### Fingerprint (Biometrics)

This is one of the best functions of this smart lock. It has easy and super quick recognition and user set up. (Controlled via APP)

### Smart Card

In addition to the fingerprint technology your DL is supplied with smart cards that can be used in the same way as your fingerprint. You simply set the card up and tap away. (Controlled via APP)

### App Lock and Unlocking

You can use the app via Bluetooth to lock and unlock the door. With an addition of a Wi-Fi bridge, you can lock and unlock remotely.

### Concealed Code

This feature allows you to add digits to the front of your code to make it difficult for someone to remember your code if they were standing behind you. Your code can appear in sequence when the code is entered and the door will still unlock.

### Auto Locking

This feature controls how long it takes before the lock re-locks. This can allow the user to take their time so they can gain entry through the door. (Controlled via APP)

### Passage Mode

Allows the door to remain unlocked for periods that the user determines. It could be set for a certain time or day of the week when you require the door to be unlocked for convenience. (Controlled via App)

### Emergency Power

This is handy for those times we forget to replace the batteries in a timely manner. Using a micro-USB power bank simply plug in and use this power to give you entry. Remember to replace your batteries as quickly as possible to avoid the need to do this again.

### Mechanical Key

As much as we rely on the DL700 technology there is still the capability to gain entry via a mechanical key. This is normally a last resort. It's advised that this key be stored in a secure and easy to access location just in case.

### IP55 Water and Dust Rating

Now upgraded with an external IP55 rating for water and dust exposure. Note: IP55 rating applies to external side only. Not suitable for external



### Sabre DL700 Digital Smart Lock - Black

Scan to view online and for additional product information , or call us on **1800 555 600**.

Print Date: 28/4/24

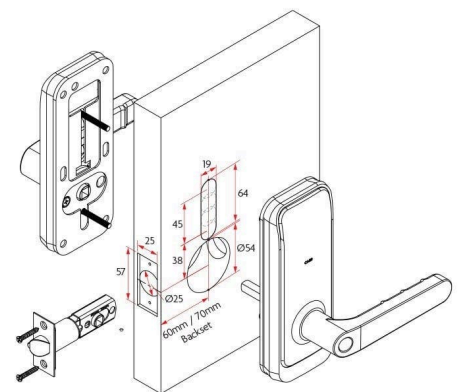
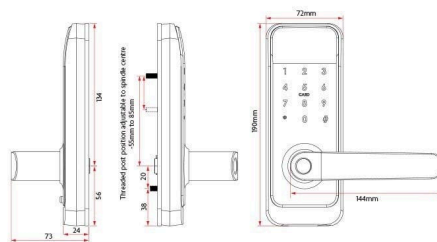
gates.

Connect to your Wi-Fi network with the optional Wi-Fi Bridge (SAB-DLG2-WB) to allow remote locking and unlocking. Sold separately.

## SPECIFICATION

<b>MPN</b>	SAB-DL700-BLK
<b>Brand</b>	Sabre
<b>Product Height</b>	190mm
<b>Product Width</b>	170mm
<b>Projection or Length</b>	73mm
<b>Product Finish or Colour</b>	Black (BLK)
<b>Product Material</b>	ABS Plastic, Zinc Alloy
<b>Lock Backset</b>	60mm, 70mm
<b>Includes Fixing Screws</b>	Yes
<b>AS1428.1 Compliant</b>	No
<b>Fire Rating</b>	No
<b>Fire Tested</b>	No
<b>Includes Cylinder</b>	Yes
<b>Includes Strike Plate</b>	Yes
<b>Bluetooth</b>	Yes
<b>Wi-Fi</b>	Optional
<b>Pin Code Ability</b>	Yes
<b>Handing</b>	Non-Handed
<b>Bolt Diameter</b>	18mm
<b>Bolt / Latch Material</b>	Steel
<b>Battery Type</b>	4 x AA
<b>Suits Rebated Doors</b>	Yes, with Rebate Kit
<b>Min Door Thickness</b>	35mm
<b>Max Door Thickness</b>	60mm
<b>Number of Keys Included</b>	2
<b>Can Be Rekeyed</b>	No
<b>Can be Master Keyed</b>	No
<b>Lockable</b>	Yes
<b>Product Warranty</b>	1 Year
<b>Suitable for</b>	Residential

## ADDITIONAL IMAGES



### Sabre DL700 Digital Smart Lock - Black

Scan to view online and for additional product information, or call us on **1800 555 600**.

Print Date: 28/4/24