



FSH VE1260S VE-LOCK Pre- Included Drop Bolt with Square Edges

SKU FSH-VE1260S

MPN VE1260S



DESCRIPTION

The patented VE1260 is a high torque motor driven drop bolt with up to 35kg pre-load/side load tolerance. It can be installed vertically in the door frame (lock style) or horizontally in the frame header and has a symmetric dead-bolt mechanism to allowing it to be used on 180° degree swing through doors.

The VE1260 consumes an inrush current of 290mA@12VDC only during locking and unlocking action (Active Mode), then in the locked or unlocked state (Sleep Mode), the drop bolt consumes current less than 15mA@12VDC.

A series of additional Strike Plates allow for door misalignment of up to ± 12 mm and a retrofit version of the FSH Lock is available to suit the PADDE/TRIMEC ES8000 drop bolt footprint.

We recommend operating the product in 3-Wire-Mode (See installation manual). An optional LED red/green indicator unit is available.

Features

- Releases with up to 35kg of Pre-Load/Side Load (3-wire mode)
- Durability tested to 400,000 cycles
- Multi Voltage operation 11-30VDC
- Sleep-Mode Current less than 15mA@12VDC
- Fully monitored including reed switch for door position
- Up to 1000kg Holding Strength
- Up to 4-hour fire rated in accordance with AS1905.1:2015 (contact Allegion for more details)
- Conforms to S3* (Security) and D3 (Durability) Australian Lock Standard (AS4145.2 : 1993)
- 5 year warranty
- Retrofit version for Trimec/PADDE ES8000 (VE1260S Square Edge Version)
- HL1260-SMK is an optional accessory
- CE/C-Tick

SPECIFICATION

MPN	VE1260S
Brand	FSH
Product Width	30mm
Product Length	256mm
Product Depth	41.5mm
Product Finish or Colour	Satin Stainless Steel (SSS)
Product Material	Stainless Steel



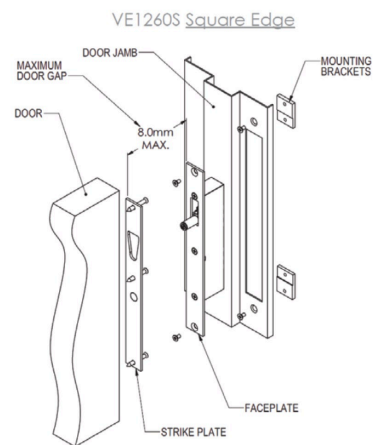
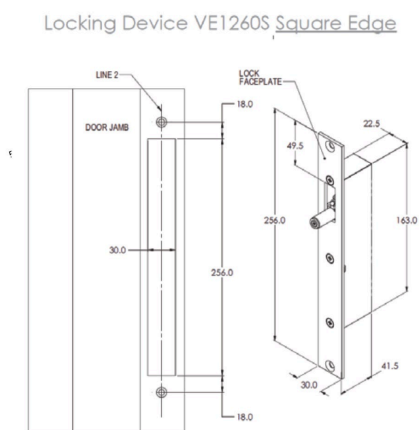
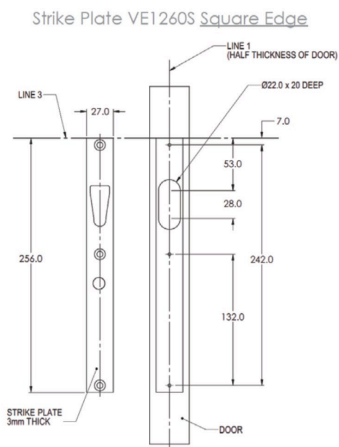
FSH VE1260S VE-LOCK Pre-Included Drop Bolt with Square Edges

Scan to view online and for additional product information , or call us on **1800 555 600**.

Print Date: 28/4/24

Fire Rating	4 Hour
Fire Tested	Yes
Fail Safe / Fail Secure	Fail Safe/Secure
Holding Force	1000kg
Voltage	12 - 30V DC
Monitored	Yes
Preload	35kg
Product Warranty	5 Years

ADDITIONAL IMAGES



FSH VE1260S VE-LOCK Pre-Included Drop Bolt with Square Edges
 Scan to view online and for additional product information , or call us on **1800 555 600**.

Print Date: 28/4/24