



# FSH VE1260R VE-LOCK Pre-Included Drop Bolt with Round Edges

SKU FSH-VE1260R

MPN VE1260R



## DESCRIPTION

The patented VE1260 is a high torque motor driven drop bolt with up to 35kg pre-load/side load tolerance. It can be installed vertically in the door frame (lock style) or horizontally in the frame header and has a symmetric dead-bolt mechanism to allowing it to be used on 180° degree swing through doors.

The VE1260 consumes an inrush current of 290mA@12VDC only during locking and unlocking action (Active Mode), then in the locked or unlocked state (Sleep Mode), the drop bolt consumes current less than 15mA@12VDC.

A series of additional Strike Plates allow for door misalignment of up to ±12mm and a retrofit version of the FSH Lock is available to suit the PADDE/TRIMEC ES8000 drop bolt footprint.

We recommend operating the product in 3-Wire-Mode (See installation manual). An optional LED red/green indicator unit is available.

## Features

- Releases with up to 35kg of Pre-Load/Side Load (3-wire mode)
- Durability tested to 400,000 cycles
- Multi Voltage operation 11-30VDC
- Sleep-Mode Current less than 15mA@12VDC
- Fully monitored including reed switch for door position
- Up to 1000kg Holding Strength
- Up to 4-hour fire rated in accordance with AS1905.1:2015 (contact Allegion for more details)
- Conforms to S3\* (Security) and D3 (Durability) Australian Lock Standard (AS4145.2 : 1993)
- 5 year warranty
- HL1260-SMK is an optional accessory
- CE/C-Tick

## SPECIFICATION

<b>MPN</b>	VE1260R
<b>Brand</b>	FSH
<b>Product Width</b>	25mm
<b>Product Length</b>	210mm
<b>Product Depth</b>	41.5mm
<b>Product Finish or Colour</b>	Satin Stainless Steel (SSS)
<b>Product Material</b>	Stainless Steel
<b>Fire Tested</b>	Yes



**FSH VE1260R VE-LOCK Pre-Included Drop Bolt with Round Edges**

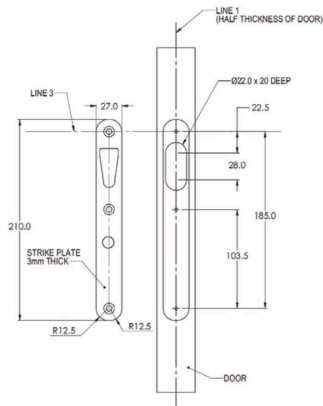
Scan to view online and for additional product information , or call us on **1800 555 600**.

Print Date: 17/1/25

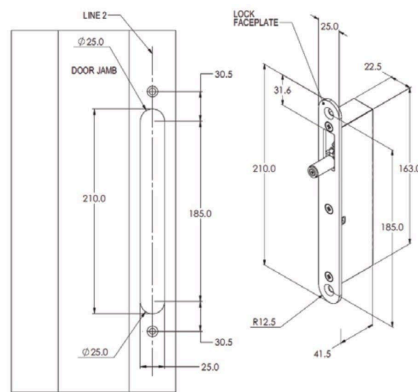
<b>Fail Safe / Fail Secure</b>	Fail Safe/Secure
<b>Product Warranty</b>	5 Years
<b>Holding Force</b>	1000kg
<b>Voltage</b>	12 - 30V DC
<b>Monitored</b>	Yes
<b>Preload</b>	35kg

## ADDITIONAL IMAGES

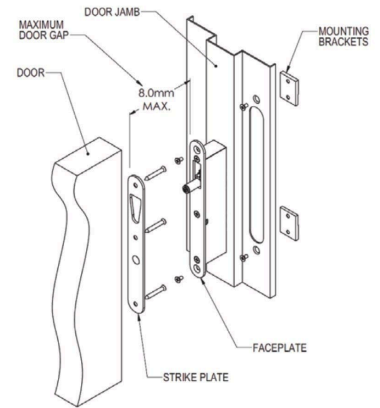
Strike Plate VE1260R Round Edge



Locking Device VE1260R Round Edge



VE1260R Round Edge



**FSH VE1260R VE-LOCK Pre-Included Drop Bolt with Round Edges**  
 Scan to view online and for additional product information , or call us on **1800 555 600**.

Print Date: 17/1/25