



Legge G2 Sparta Lever Classroom Lockset - Satin Chrome

SKU LGG2SCLASS

MPNG2SCLASS



DESCRIPTION

Legge has long been associated with providing Australasia industry-leading safety, security, style and convenience and the G2 cylindrical lockset is no exception. The G2 lockset offers ANSI/BHMA Grade 2 certification and the Sparta lever, with its 35mm to 45mm clearance, makes it suitable for both residential and light commercial applications requiring compliance with AS1428:1-2009 design for access and mobility code, G2 Series functions include entrance, passage, privacy, patio and dummy trim. Commercial functions such as classroom, storeroom and Vanguard options are also available for added security and safety.

Features

- Sparta lever is compliant with AS1428:1-2009
- Tested in excess of 400,000 operating cycles
- Key removable outside lever for quick and easy cylinder placement
- Snap-on inside rose conceals mounting plate and screws
- Supplied standard with D and T strikes and spacer rings
- Two nickel silver keys per lock supplied with both Schlage 6 pin 'C' keyway and C4 6 pin keyway as standard
- The G2 series is ideally suited for residential, light and medium duty commercial applications
- Non-handed
- The 10 year warranty provides specifiers and users with assured quality and performance

SPECIFICATION

MPN	G2SCLASS
Brand	Legge
Projection or Length	68mm
Product Diameter	75mm
Rose Diameter	75mm
Product Finish or Colour	Satin Chrome (SC)
Product Material	Varied Metals
Lock Backset	70mm
Includes Fixing Screws	Yes
AS1428.1 Compliant	Yes
Fire Tested	Yes
Fire Rating	Yes
Includes Cylinder	Yes
Can Be Rekeyed	Yes



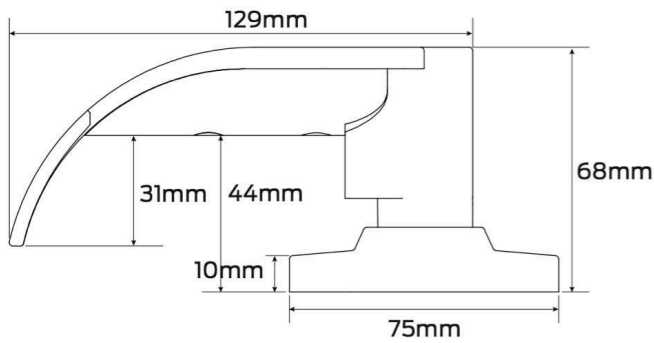
Legge G2 Sparta Lever Classroom Lockset - Satin Chrome

Scan to view online and for additional product information , or call us on **1800 555 600**.

Print Date: 24/4/24

Can be Master Keyed	Yes
Lockable	Yes
Has Deadlatching	Yes
Includes Strike Plate	Yes
Cylinder Keyway	C6 or C4
Max Door Thickness	50mm
Number of Pins / Wafers	6 Pin
Number of Keys Included	2
Min Door Thickness	35mm
Product Warranty	10 Years

ADDITIONAL IMAGES



Legge G2 Sparta Lever Classroom Lockset - Satin Chrome

Scan to view online and for additional product information , or call us on **1800 555 600**.

Print Date: 24/4/24