



Legge G2 Sparta Lever Dummy Trim - Satin Chrome

SKU LGG2SDUMS

MPNG2SDUMS



DESCRIPTION

Legge has long been associated with providing Australasia industry-leading safety, security, style and convenience and the G2 cylindrical lockset is no exception. The G2 lockset offers ANSI/BHMA Grade 2 certification and the Sparta lever, with its 35mm to 45mm clearance, makes it suitable for both residential and light commercial applications requiring compliance with AS1428:1-2009 design for access and mobility code, G2 Series functions include entrance, passage, privacy, patio and dummy trim. Commercial functions such as classroom, storeroom and Vanguard options are also available for added security and safety.

Features

Tested in excess of 400,000 operating cycles
Snap-on inside rose conceals mounting plate and screws
The G2 series is ideally suited for residential, light and medium duty commercial applications
Non-handed
The 10 year warranty provides specifiers and users with assured quality and performance

SPECIFICATION

MPN	G2SDUMS
Brand	Legge
Projection or Length	68mm
Product Diameter	75mm
Rose Diameter	75mm
Product Finish or Colour	Satin Chrome (SC)
Product Material	Varied Metals
Includes Fixing Screws	Yes
AS1428.1 Compliant	Yes
Fire Rating	Yes
Min Door Thickness	35mm
Product Warranty	10 Years

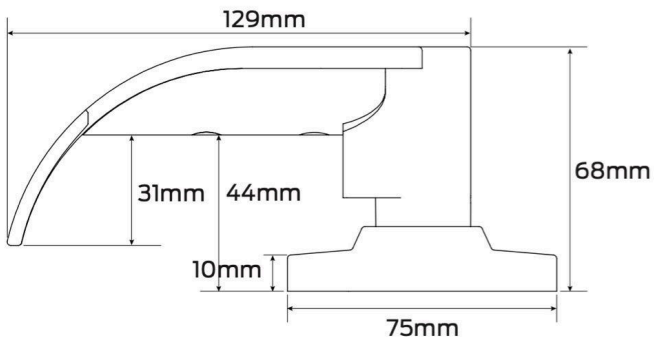
ADDITIONAL IMAGES



Legge G2 Sparta Lever Dummy Trim - Satin Chrome

Scan to view online and for additional product information , or call us on **1800 555 600**.

Print Date: 28/4/24



Legge G2 Sparta Lever Dummy Trim - Satin Chrome

Scan to view online and for additional product information , or call us on **1800 555 600**.

Print Date: 28/4/24