



# Legge G2 Sparta Lever Privacy Lockset - Satin Chrome

SKU LGG2SPRIS

MPNG2SPRIS



## DESCRIPTION

Legge has long been associated with providing Australasia industry-leading safety, security, style and convenience and the G2 cylindrical lockset is no exception. The G2 lockset offers ANSI/BHMA Grade 2 certification and the Sparta lever, with its 35mm to 45mm clearance, makes it suitable for both residential and light commercial applications requiring compliance with AS1428:1-2009 design for access and mobility code, G2 Series functions include entrance, passage, privacy, patio and dummy trim. Commercial functions such as classroom, storeroom and Vanguard options are also available for added security and safety.

## Features

- Sparta lever is compliant with AS1428:1-2009
- Tested in excess of 400,000 operating cycles
- Snap-on inside rose conceals mounting plate and screws
- Supplied standard with D and T strikes and spacer rings
- The G2 series is ideally suited for residential, light and medium duty commercial applications
- Non-handed
- The 10 year warranty provides specifiers and users with assured quality and performance

## SPECIFICATION

<b>MPN</b>	G2SPRIS
<b>Brand</b>	Legge
<b>Projection or Length</b>	68mm
<b>Product Diameter</b>	75mm
<b>Rose Diameter</b>	75mm
<b>Product Finish or Colour</b>	Satin Chrome (SC)
<b>Product Material</b>	Varied Metals
<b>Lock Backset</b>	70mm
<b>Includes Fixing Screws</b>	Yes
<b>AS1428.1 Compliant</b>	Yes
<b>Fire Tested</b>	Yes
<b>Fire Rating</b>	Yes
<b>Has Deadlatching</b>	Yes
<b>Includes Strike Plate</b>	Yes
<b>Max Door Thickness</b>	50mm
<b>Min Door Thickness</b>	35mm

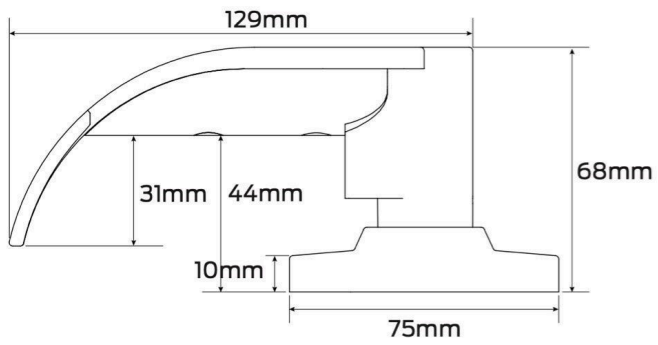


### Legge G2 Sparta Lever Privacy Lockset - Satin Chrome

Scan to view online and for additional product information , or call us on **1800 555 600**.

Print Date: 24/4/24

ADDITIONAL IMAGES



**Legge G2 Sparta Lever Privacy Lockset - Satin Chrome**  
Scan to view online and for additional product information , or call us on **1800 555 600**.

Print Date: 24/4/24