



Sabre Indicating Lever with Accessible Turn for dormakaba 2600 and 2900 on Wide Plate Visible Fix - Right Hand - Satin Stainless Steel

SKU SAB-WPSD-VIA-H01R-SS

MPNSAB-WPSD-VIA-H01R-SS

DESCRIPTION

Visible fix, Indicating Lever with Accessible Turn
Plate size 168mm x 48mm x 11.5mm
Suitable for doors between 34mm and 50mm in thickness
Tested for durability for up to 500,000 cycles
Back to back fixing
For use with dormakaba 2600 and 2900 mortice locks

FINISH

SSS - Satin Stainless Steel

SPECIFICATION

MPN	SAB-WPSD-VIA-H01R-SS
Brand	Sabre
Product Width	48mm
Product Height	168mm
Product Thickness	11.5mm
Projection or Length	62mm
Plate Width	48mm
Plate Height	168mm
Product Finish or Colour	Satin Stainless Steel (SSS)
Product Material	304 Stainless Steel
AS1428.1 Compliant	Yes
Fire Tested	Yes
Suitable for Door Type	Timber Doors, Aluminium Doors
Square / Round Face	Square
Handing	Right Hand
Spindle Size	7.6mm
Fixing	Visible Fixed
Finger Clearance	44mm
Max Door Thickness	50mm

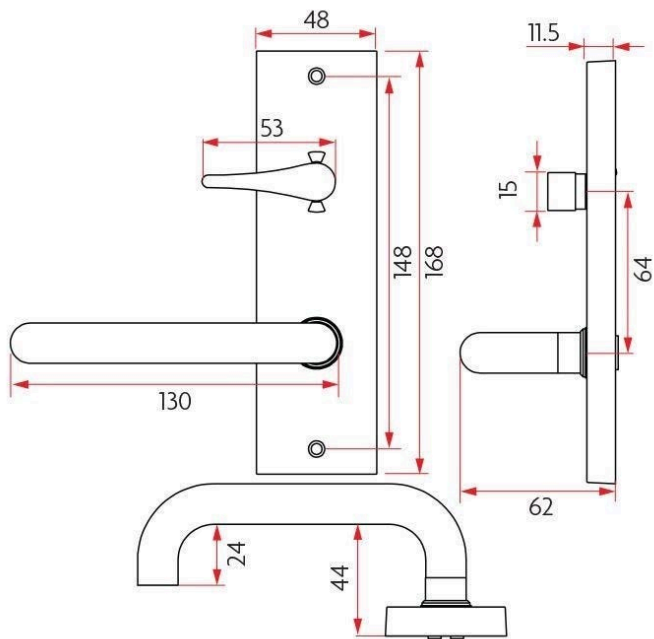


Sabre Indicating Lever with Accessible Turn for dormakaba 2600 and 2900 on Wide Plate Visible Fix - Right Hand - Satin Stainless Steel

Scan to view online and for additional product information , or call us on **1800 555 600**.

Print Date: 24/4/24

ADDITIONAL IMAGES



Sabre Indicating Lever with Accessible Turn for dormakaba 2600 and 2900 on Wide Plate Visible Fix - Right Hand - Satin Stainless Steel

Scan to view online and for additional product information , or call us on **1800 555 600**.

Print Date: 24/4/24