



Fantom Defender Door Stop and Holder - Satin Chrome

SKU FTM-DEF-SATIN

MPNDEFENDER-TRADE-SATIN



DESCRIPTION

Fantom Door Stop - Defender - Satin Chrome Plate

The Fantom Defender combines modern aesthetics with reliable security and smooth functionality to provide you with two functional modes. Utilizing rare-Earth technology and a patented sliding face-mount system, the simple foot-activated Fantom Defender allows the door to be opened just enough to see who is on the other side before allowing complete access— protecting you against intruders attempting to enter your home by force. When not being used as a security measure, the Fantom Defender is a functional, hazard-free doorstop used to prevent the door from contacting walls and furniture, or from opening any further than desired. The Defender also features a strong “hold open” function to keep you door held in position when desired.

Features

Security and Doorstop in 1
Stops Intruders from forcing the door open
Eliminates Trip hazard when used as a doorstop

SPECIFICATION

MPN	DEFENDER-TRADE-SATIN
Brand	Fantom Hardware
Product Height	45.8mm
Product Warranty	2 Years
Product Diameter	28mm
Projection or Length	15mm
Product Finish or Colour	Satin Chrome (SC)
Product Material	Varied Metals
Includes Fixing Screws	Yes

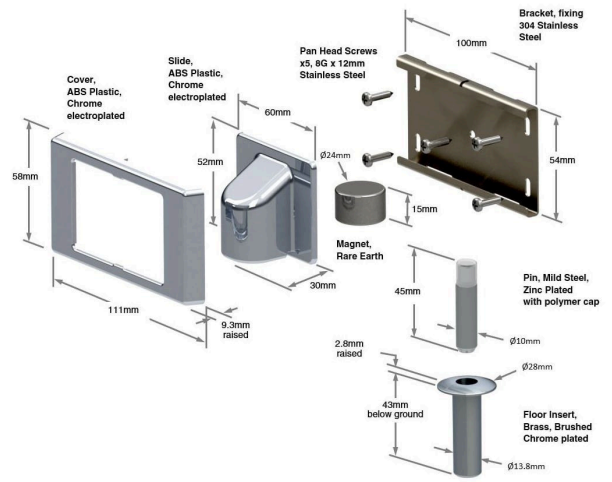
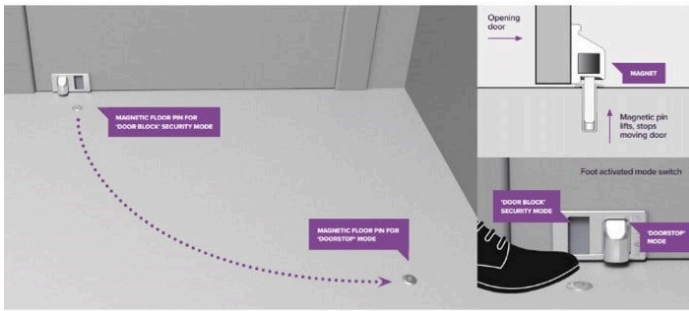
ADDITIONAL IMAGES



Fantom Defender Door Stop and Holder - Satin Chrome

Scan to view online and for additional product information , or call us on **1800 555 600**.

Print Date: 2/5/24



Fantom Defender Door Stop and Holder - Satin Chrome

Scan to view online and for additional product information , or call us on **1800 555 600**.

Print Date: 2/5/24