



Sabre SSDL Sliding Security Screen Door Lock - Black

SKU SAB-SSDL-RND-BLK

MPN SAB-SSDL-RND-BLK



DESCRIPTION

Suits 20mm door thickness
Pressed steel body
Self latches on closing
Hook bolt deadlock
Retro-fits existing industry door preparations
Round furniture design
Requires lazy cam cylinder
S7 Security & D6 Durability Rating (AS4145.2-2008)
10 yr manufacturer warranty

SPECIFICATION

MPN	SAB-SSDL-RND-BLK
Brand	Sabre
Product Width	33mm
Product Height	168mm
Product Thickness	9mm
Product Finish or Colour	Black (BLK)
Product Material	Pressed Steel
Includes Fixing Screws	Yes
Can be Master Keyed	Yes
Includes Cylinder	No
Lockable	Yes
Number of Locking Points	1
Product Warranty	10 Years

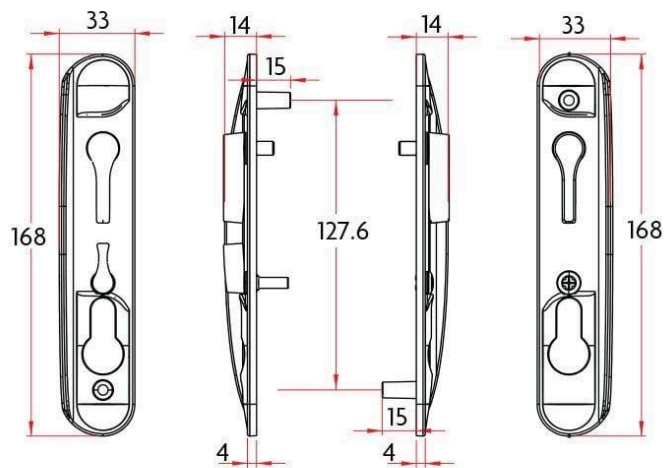
ADDITIONAL IMAGES



Sabre SSDL Sliding Security Screen Door Lock - Black

Scan to view online and for additional product information , or call us on **1800 555 600**.

Print Date: 18/4/24



Sabre SSDL Sliding Security Screen Door Lock - Black

Scan to view online and for additional product information , or call us on **1800 555 600**.

Print Date: 18/4/24