

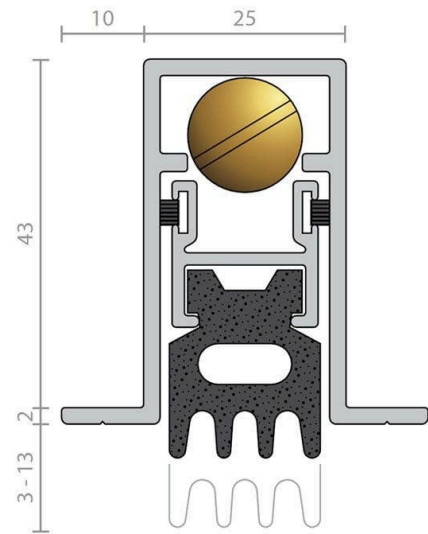


Raven RP70 Automatic Door Bottom Seal - Clear Anodised Aluminium

RP70

PRODUCT OPTIONS

Door Seal Length: 920mm



DESCRIPTION

A heavy duty, fully morticed, automatic door bottom seal that is spring loaded to lift clear of the floor when the door is opened. It is self levelling and reversible for left and right handed operation. Acoustically designed, featuring an EPDM foam gasket for acoustic door applications. RP70 is operated automatically by pressure against the door jamb on its adjustable brass strike.

Location: Fully morticed into the bottom of single and double butt hinged doors (minimum door thickness of 45mm). For double doors, plain meeting stiles are required.

Min/Max Gap: 3mm to 13mm.

Finish: Satin clear (silver) anodised aluminium (15micron).

Fixing: Screw fix. Colour matched escutcheon plates and zinc plated, cross recess head S.T. screws supplied.

Seal:RP338. Black EPDM sponge (SE).

Sizes: 1500mm, 1220mm, 1070mm, 920mm, 610mm, 450mm to 300mm(min). Seals cut back to exact size.

Approvals

Acoustic AUS/NZ: NCC Spec. F5.5.

UK/EU: Approved Document E. Rated to BS EN ISO 717.1.

Fire AUS/NZ: NCC Spec. C3.4. AS1530.4 & AS/NZS 1905.1.

UK/EU: Approved Document B. BS 476 Pt. 20 & 22 (similar to BS EN 1634-1).

FRL & FRR-/240/30 and FD240. Fire Approved

Energy NCC Pt. 3.12.3.3 & J3.4.

Design for Access and Mobility High efficiency mechanism to assist with the closing force requirements detailed in AS1428.1.

Durability Tested to over 1,000,000 operating cycles without failure.

SPECIFICATION

MPN	A70C
Brand	Raven
Product Height	45mm
Product Thickness	45mm
Product Finish or Colour	Clear Anodised (CA)
Product Material	Aluminium
Includes Fixing Screws	Yes
Fire Tested	Yes
Suitable for Smoke Doors	Yes
Acoustic Rated to AS1191 and ISO140.3	Yes



Raven RP70 Automatic Door Bottom Seal - Clear Anodised Aluminium

Scan to view online and for additional product information , or call us on **1800 555 600**.

Print Date: 20/4/24

Suitable for Door Type	Timber Doors
Bush Fire Attack Level	Fire Zone
Contains Intumescent Material	No
Seal Can Be Installed	Concealed
Gasket / Seal Colour	Black
Gasket Material	EPDM
Min Door Thickness	45mm
Min Door Gap	3mm
Max Door Gap	13mm
Product Warranty	2 Years

ADDITIONAL IMAGES



Raven RP70 Automatic Door Bottom Seal - Clear Anodised Aluminium
Scan to view online and for additional product information , or call us on **1800 555 600**.

Print Date: 20/4/24