



## Sabre 590 / 591 45 Degree Escape Lever Assembly - Satin Chrome

**SKU** SAB-DL590-LEVER-SC

**MPN** SAB-DL590-LEVER-SC



### DESCRIPTION

Suits Sabre 590 / 591 Commercial Deadlocks  
Satin Chrome Finish

### SPECIFICATION

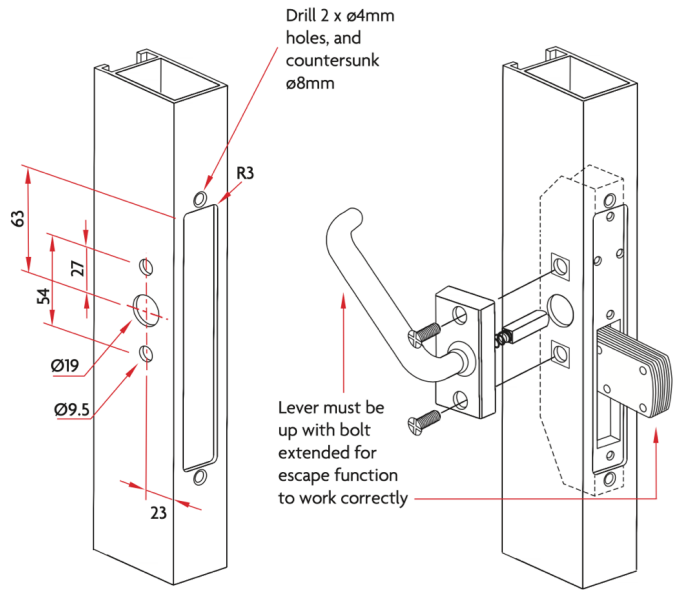
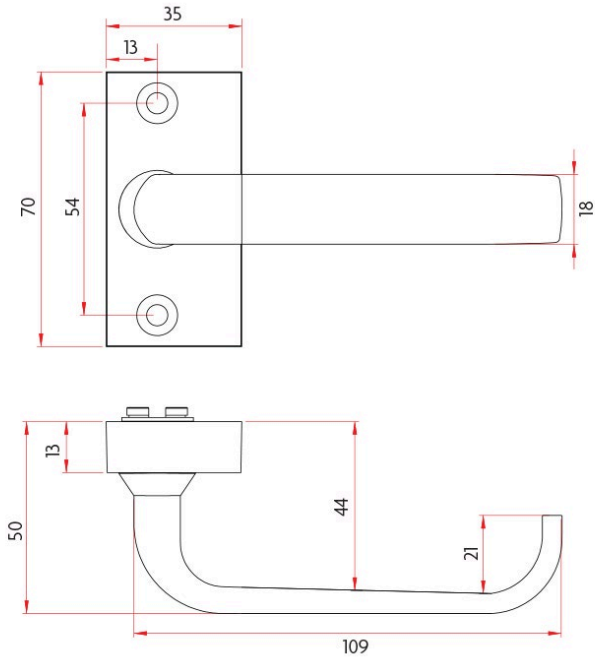
<b>MPN</b>	SAB-DL590-LEVER-SC
<b>Brand</b>	Sabre
<b>Projection or Length</b>	50mm
<b>Product Finish or Colour</b>	Satin Chrome (SC)
<b>Product Material</b>	Zinc
<b>Includes Fixing Screws</b>	Yes
<b>AS1428.1 Compliant</b>	Yes
<b>Handing</b>	Non-Handed
<b>Spindle Size</b>	7.6mm
<b>Max Door Thickness</b>	28mm
<b>Product Warranty</b>	10 Years Mechanical

### ADDITIONAL IMAGES



**Sabre 590 / 591 45 Degree Escape Lever Assembly - Satin Chrome**  
Scan to view online and for additional product information , or call us on **1800 555 600**.

Print Date: 28/4/24



**Sabre 590 / 591 45 Degree Escape Lever Assembly - Satin Chrome**  
 Scan to view online and for additional product information , or call us on **1800 555 600**.

Print Date: 28/4/24