



Bobrick B4288 Toilet Roll Holder - Contura Multi Roll Model - Satin Stainless Steel

SKU BOB4288

MPNB-4288



DESCRIPTION

Bobrick B4288 Contura Multi-Roll Toilet Roll Holder

Surface mounted with flush tumbler lock
280m H x 155mm W
Automatic mechanism dispenses second roll upon bottom roll being depleted
Theft resistant spindles
304 stainless steel
Security lock, keyed alike
3 year manufacturer's warranty

SPECIFICATION

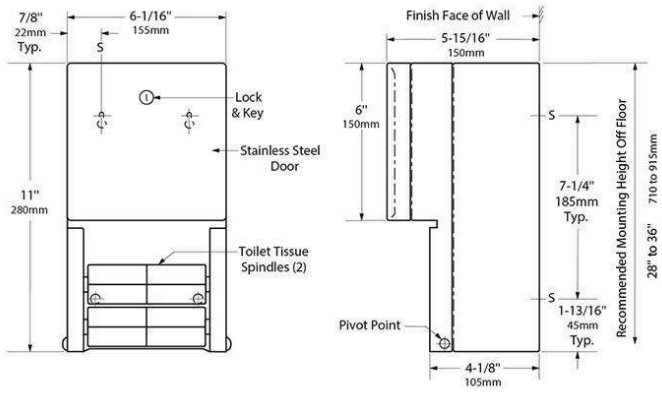
MPN	B-4288
Brand	Bobrick
Product Height	280mm
Product Width	155mm
Projection or Length	150mm
Product Depth	150mm
Product Finish or Colour	Satin Stainless Steel (SSS)
Product Material	304 Stainless Steel
AS1428.1 Compliant	Yes
Lockable	Yes
Fixing	Concealed Fixed
Mounting Type	Surface Mounted
Blocking Required	Yes
Orientation	Vertical
Paper Type	Roll x 2
Product Warranty	3 Years

ADDITIONAL IMAGES



Bobrick B4288 Toilet Roll Holder - Contura Multi Roll Model - Satin Stainless Steel
Scan to view online and for additional product information , or call us on **1800 555 600**.

Print Date: 20/4/24



Bobrick B4288 Toilet Roll Holder - Contura Multi Roll Model - Satin Stainless Steel
 Scan to view online and for additional product information , or call us on **1800 555 600**.

Print Date: 20/4/24