



Bobrick B2888 Toilet Roll Holder - Multi-Roll Model - Satin Satinless Steel

SKU BOB2888

MPNB-2888



DESCRIPTION

Bobrick B2888 Toilet Roll Holder double roll holder with flush tumbler lock, keyed alike

280mm H x 155mm W

Automatic mechanism dispenses second roll upon bottom roll being depleted

304 stainless steel

Theft resistant spindles

SPECIFICATION

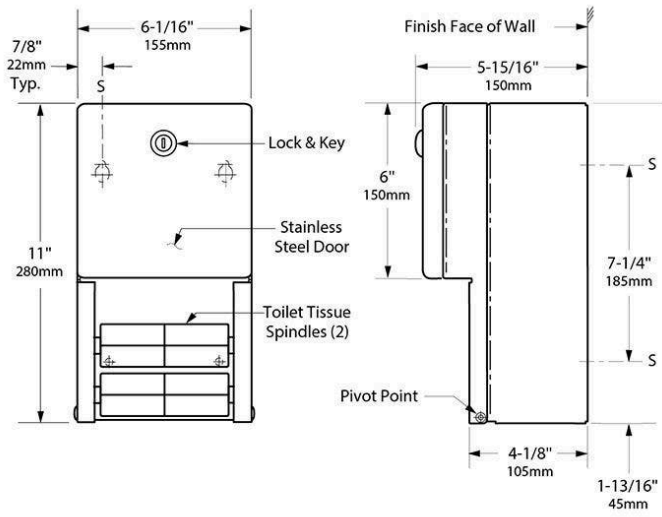
MPN	B-2888
Brand	Bobrick
Product Height	280mm
Product Width	155mm
Projection or Length	150mm
Product Depth	150mm
Product Finish or Colour	Satin Stainless Steel (SSS)
Product Material	304 Stainless Steel
AS1428.1 Compliant	Yes
Lockable	Yes
Fixing	Concealed Fixed
Mounting Type	Surface Mounted
Blocking Required	Yes
Orientation	Vertical
Paper Type	Roll x 2
Product Warranty	1 Year

ADDITIONAL IMAGES



Bobrick B2888 Toilet Roll Holder - Multi-Roll Model - Satin Satinless Steel
Scan to view online and for additional product information , or call us on **1800 555 600**.

Print Date: 26/4/24



Bobrick B2888 Toilet Roll Holder - Multi-Roll Model - Satin Stainless Steel
 Scan to view online and for additional product information , or call us on **1800 555 600**.

Print Date: 26/4/24