



Bobrick B4369 Paper Towel Dispenser and Waste Bin - Contura Recessed Model - Satin Stainless Steel

SKU BOB4369

MPNB-4369



DESCRIPTION

Bobrick B4369 Recessed Contura Paper Towel Dispenser & Waste Bin Stainless Steel

Recessed mounted with flush tumbler
710mm H x 325mm W
Capacity 350 C fold or 475 multifold
3 year manufacturer's warranty
Waste Capacity: 11.4L

SPECIFICATION

MPN	B-4369
Brand	Bobrick
Product Height	710mm
Product Width	325mm
Projection or Length	65mm
Product Depth	100mm
Product Finish or Colour	Satin Stainless Steel (SSS)
Product Material	304 Stainless Steel
AS1428.1 Compliant	Yes
Lockable	Yes
Fixing	Concealed Fixed
Mounting Type	Recessed
Blocking Required	Yes
Capacity	11.3L
Rough Wall Opening Height	675mm
Rough Wall Opening Width	290mm
Rough Wall Opening Depth	100mm
Orientation	Vertical
Product Warranty	3 Years

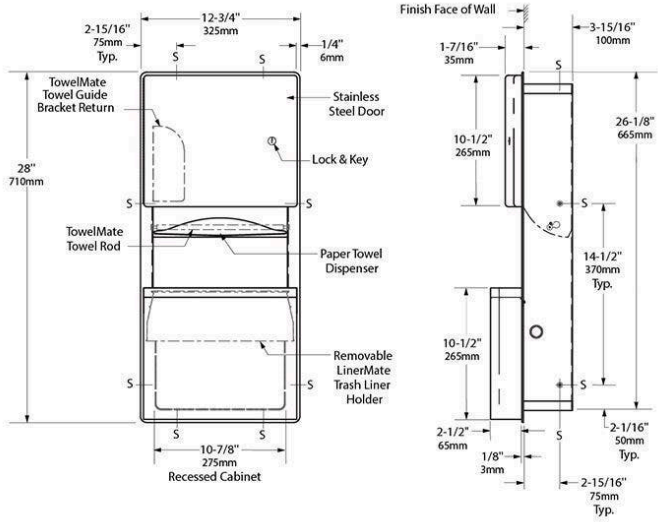
ADDITIONAL IMAGES



Bobrick B4369 Paper Towel Dispenser and Waste Bin - Contura Recessed Model - Satin Stainless Steel

Scan to view online and for additional product information , or call us on **1800 555 600**.

Print Date: 27/4/24



Bobrick B4369 Paper Towel Dispenser and Waste Bin - Contura Recessed Model - Satin Stainless Steel
 Scan to view online and for additional product information , or call us on **1800 555 600**.

Print Date: 27/4/24