



Sabre 893 Bottom Rail Patch Closer Non-Hold Open - Satin Stainless Steel

SKU SAB-BR893-NHO-SSS

MPN SAB-BR893-NHO-SSS



DESCRIPTION

Sabre 893 Bottom Rail Patch Closer Non-Hold Open Satin Stainless Steel

Suitable for timber doors
Suits minimum 40mm door thickness
Suitable for single & double action doors up to 950mm wide
Sz3 (60kg/950mm wide) doors
100KG maximum door weight
150 Degree maximum opening
Adjustable latching & closing speeds
Adjustable door alignment
Refer to SAB-BR893-90HO-SSS for hold open version

SPECIFICATION

MPN	SAB-BR893-NHO-SSS
Brand	Sabre
Product Height	93mm
Product Width	32mm
Product Length	208.5mm
Product Finish or Colour	Satin Stainless Steel (SSS)
Product Material	Stainless Steel
Includes Fixing Screws	Yes
AS1428.1 Compliant	No
Fire Tested	No
Spring Strength	Size 3 (EN3)
Back Check Valve	No
Adjustable Closing Speed	Yes
Delayed Action	No
Arm Type	Pivot
Push / Pull Side Mounting	Universal *may need to purchase additional bracket
Max Door Width	950mm
Min Door Thickness	40mm
Product Warranty	5 Years

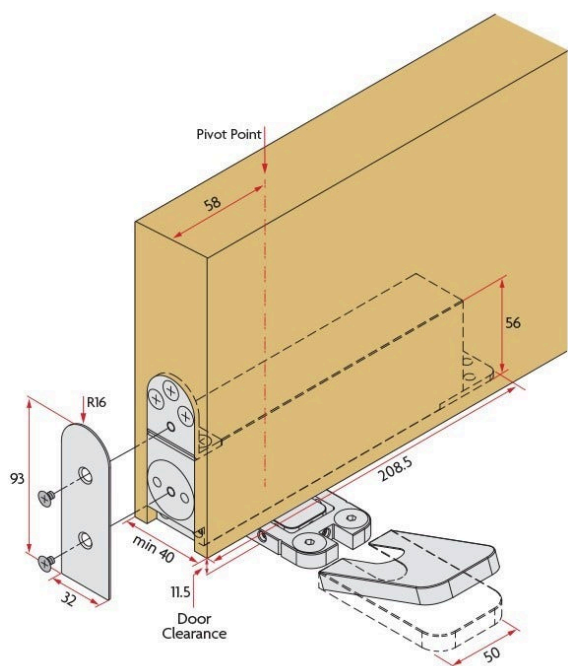


Sabre 893 Bottom Rail Patch Closer Non-Hold Open - Satin Stainless Steel

Scan to view online and for additional product information , or call us on **1800 555 600**.

Print Date: 24/4/24

ADDITIONAL IMAGES



Sabre 893 Bottom Rail Patch Closer Non-Hold Open - Satin Stainless Steel
Scan to view online and for additional product information , or call us on **1800 555 600**.

Print Date: 24/4/24