



Sabre 950 Floor Spring Non-Hold Open - Satin Stainless Steel

SKU SAB-FS950-NHO-SSS

MPN SAB-FS950-NHO-SSS



DESCRIPTION

Sabre 950 Floor Spring Non-Hold Open Satin Stainless Steel

For use on timber, metal and glass doors
Suits single & double action doors
Size 4 (80kg/1100mm wide) to 6 (120kg/1450mm wide)
Maximum door weight - 300kg
Adjustable latching & closing speed
Non-hold open
Box Dimensions - 327mm L x 96mm W x 62mm D
Maximum opening - 160deg
Top pivots supplied separately
Satin stainless steel cover included

SPECIFICATION

| | |
|-------------------------------------|-----------------------------|
| MPN | SAB-FS950-NHO-SSS |
| Brand | Sabre |
| Product Width | 96mm |
| Product Height | 62mm |
| Product Length | 327mm |
| Product Finish or Colour | Satin Stainless Steel (SSS) |
| Product Material | Cast Iron |
| Includes Fixing Screws | Yes |
| AS1428.1 Compliant | No |
| Fire Tested | No |
| Spring Strength | Size 4-6 (EN4-6) |
| Back Check Valve | Yes |
| Hold Open Type | No |
| Adjustable Closing Speed | Yes |
| Push / Pull Side Mounting | Both |
| Min Door Thickness | 32mm |
| Max Opening Angle | 160° |
| Max Door Width | 1450mm |
| Single / Double Action Swing | Single & Double Action |

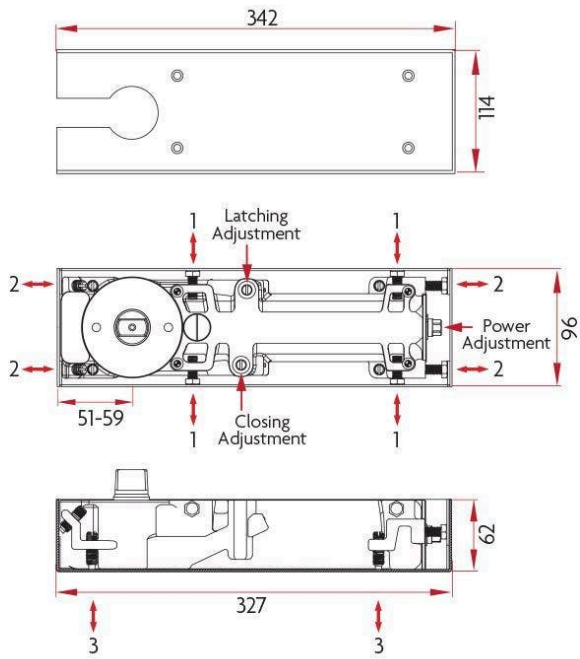


Sabre 950 Floor Spring Non-Hold Open - Satin Stainless Steel

Scan to view online and for additional product information , or call us on **1800 555 600**.

Print Date: 26/4/24

ADDITIONAL IMAGES



Sabre 950 Floor Spring Non-Hold Open - Satin Stainless Steel
Scan to view online and for additional product information , or call us on **1800 555 600**.

Print Date: 26/4/24