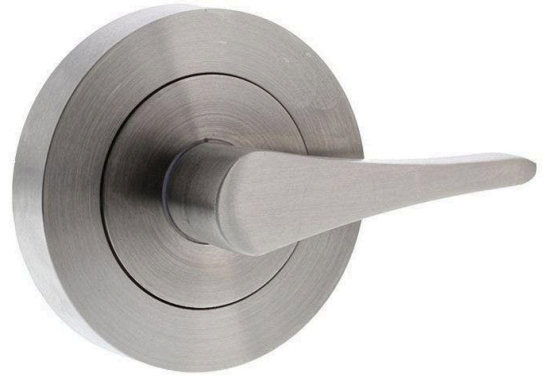




Sabre Accessible Turn Snib - Satin Stainless Steel

SKU SAB-ATS-R53-SSS

MPN SAB-ATS-R53-SSS



DESCRIPTION

Sabre Accessible Turn Snib Satin Stainless Steel

Dimensions - 53mm x 10mm

Suits 34mm - 50mm Timber Doors (mortice lock)

304 satin stainless steel

Fire rated

AS1428 Compliant

10 yr manufacturers warranty

SPECIFICATION

MPN	SAB-ATS-R53-SSS
Brand	Sabre
Projection or Length	25mm
Rose Diameter	53mm
Product Finish or Colour	Satin Stainless Steel (SSS)
Product Material	304 Stainless Steel
Includes Fixing Screws	Yes
AS1428.1 Compliant	Yes
Fire Tested	Yes
SCEC Rating	No
Handing	Non-Handed
Fixing	Concealed Fixed
Spindle Size	Flat 2.0mm x 6.0mm
Product Warranty	10 Years Mechanical

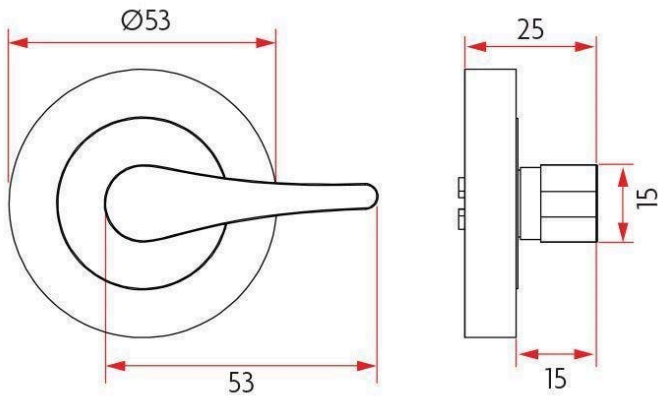
ADDITIONAL IMAGES



Sabre Accessible Turn Snib - Satin Stainless Steel

Scan to view online and for additional product information , or call us on **1800 555 600**.

Print Date: 25/4/24



Sabre Accessible Turn Snib - Satin Stainless Steel

Scan to view online and for additional product information , or call us on **1800 555 600**.

Print Date: 25/4/24