



Sabre Grab Rail 40 Deg - Left Handed

SKU SAB-GR-40DSF-LH-SSS

MPN SAB-GR-40DSF-LH-SSS



DESCRIPTION

Sabre Grab Rail 40 Degree Left Handed - Satin Stainless Steel

Dimensions - 32mm dia satin stainless tube
For use with Surface Mounted Cisterns
40 degree angled grab rail
Requires SABGR-450 straight grab rail on cistern wall to complete set
5 fixing points per mount
77mm twist & conceal flange covers
AS1428.1 compliant

SPECIFICATION

MPN	SAB-GR-40DSF-LH-SSS
Brand	Sabre
Product Length	1484mm
Product Warranty	5 Years
Product Height	623mm
Projection or Length	86mm
Product Diameter	32mm
Product Finish or Colour	Satin Stainless Steel (SSS)
Product Material	304 Stainless Steel
Includes Fixing Screws	Yes
AS1428.1 Compliant	Yes
Antiligature	No
Antimicrobial	No
Bariatric	No
Handing	Left Hand
Fixing	Concealed Fixed
Horizontal Centre to Centre	870mm
Vertical Centre to Centre	700mm
Grab Rail Angle	40°
Finger Clearance	54mm
Mounting Plate Diameter	78mm
Blocking Required	Yes



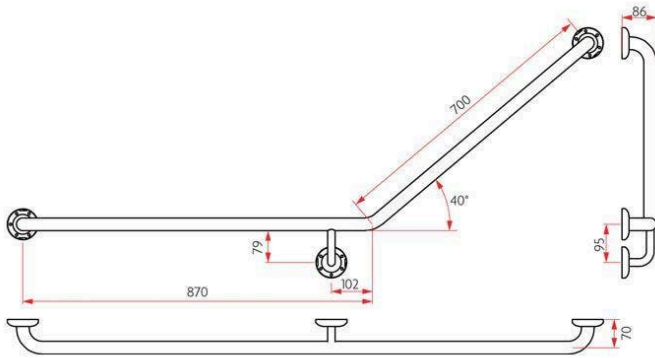
Sabre Grab Rail 40 Deg - Left Handed

Scan to view online and for additional product information , or call us on **1800 555 600**.

Print Date: 29/4/24

Number of Brackets	3
Max Door Weight	110kg
Static Load	110kg
Orientation	Left Hand
Security Fixing	No

ADDITIONAL IMAGES



Sabre Grab Rail 40 Deg - Left Handed

Scan to view online and for additional product information , or call us on **1800 555 600**.

Print Date: 29/4/24