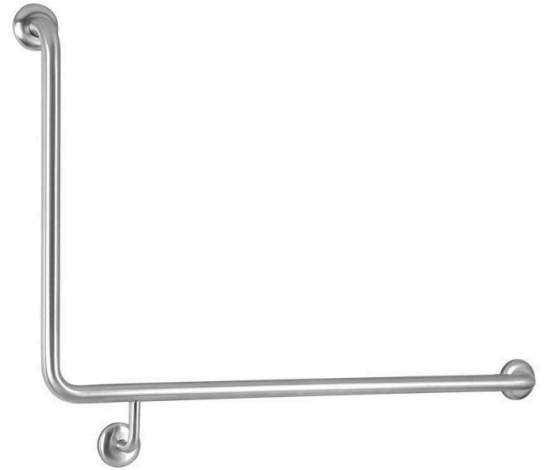




Sabre Grab Rail 90 Deg - Right Handed

SKU SAB-GR-90DSF-RH-SSS

MPN SAB-GR-90DSF-RH-SSS



DESCRIPTION

Sabre Grab Rail 90 Degree Bend Right Hand Satin Stainless Steel

Dimensions - 32mm dia T satin stainless steel
 90 degree angled grab rail - 960 x 600
 5 fixing points per mount
 77mm twist & concealed flange cover
 AS1428 compliant
 For use with surface mounted cisterns
 Requires SABGR-450 Straight grab rail on cisternback wall
 LH image shown

SPECIFICATION

MPN	SAB-GR-90DSF-RH-SSS
Brand	Sabre
Product Length	1037mm
Product Warranty	5 Years
Product Height	772mm
Projection or Length	86mm
Product Diameter	32mm
Product Finish or Colour	Satin Stainless Steel (SSS)
Product Material	304 Stainless Steel
Includes Fixing Screws	Yes
AS1428.1 Compliant	Yes
Antiligature	No
Antimicrobial	No
Bariatric	No
Handing	Right Hand
Fixing	Concealed Fixed
Horizontal Centre to Centre	960mm
Vertical Centre to Centre	600mm
Grab Rail Angle	90°
Finger Clearance	54mm
Mounting Plate Diameter	78mm



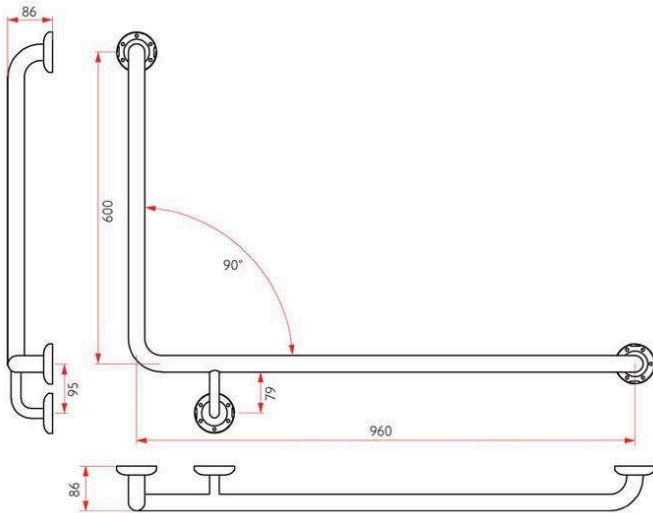
Sabre Grab Rail 90 Deg - Right Handed

Scan to view online and for additional product information , or call us on **1800 555 600**.

Print Date: 30/4/24

Blocking Required	Yes
Number of Brackets	3
Max Door Weight	110kg
Static Load	110kg
Orientation	Right Hand
Security Fixing	No

ADDITIONAL IMAGES



Sabre Grab Rail 90 Deg - Right Handed

Scan to view online and for additional product information , or call us on **1800 555 600**.

Print Date: 30/4/24