



Sabre Indicating Accessible Turn Snib - Satin Stainless Steel - Right Handed

SKU SAB-IAT-R53-RH-SSS

MPN SAB-IAT-R53-RH-SSS



DESCRIPTION

Sabre Indicating Accessible Turn Snib Right Hande Satin Stainless Steel

Suits Left Hand function locks
Indicates red when locked
Indicates green when unlocked
45mm x 6mm tail piece
4 x 16mm fixing screws

SPECIFICATION

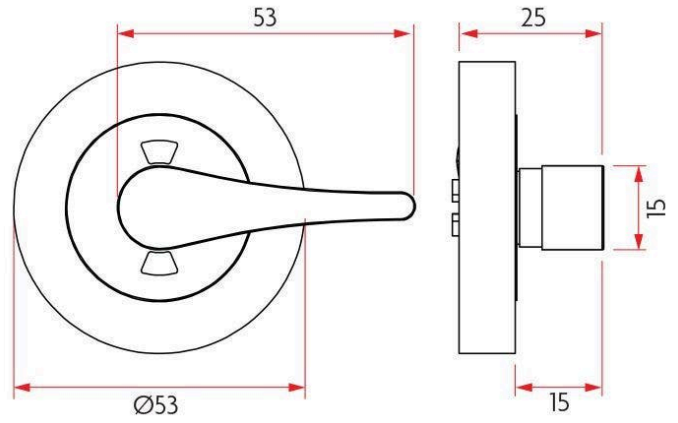
MPN	SAB-IAT-R53-RH-SSS
Brand	Sabre
Projection or Length	25mm
Rose Diameter	53mm
Product Finish or Colour	Satin Stainless Steel (SSS)
Product Material	304 Stainless Steel
Includes Fixing Screws	Yes
AS1428.1 Compliant	Yes
SCEC Rating	No
Handing	Right Hand, Left Hand Lock
Fixing	Concealed Fixed
Spindle Size	Flat 2.0mm x 6.0mm
Product Warranty	10 Years Mechanical

ADDITIONAL IMAGES



Sabre Indicating Accessible Turn Snib - Satin Stainless Steel - Right Handed
Scan to view online and for additional product information , or call us on **1800 555 600**.

Print Date: 20/4/24



Sabre Indicating Accessible Turn Snib - Satin Stainless Steel - Right Handed
Scan to view online and for additional product information , or call us on **1800 555 600**.

Print Date: 20/4/24