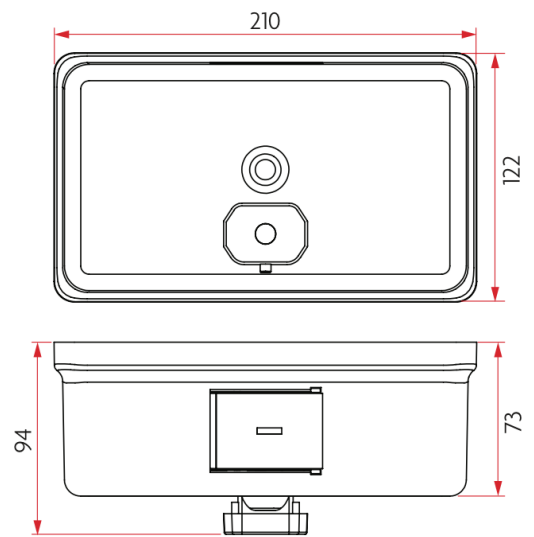




Sabre Liquid Soap Dispenser - Horizontal

SKU SAB-LSD-H-SSS

MPN SAB-LSD-H-SSS



DESCRIPTION

Sabre Liquid Soap Dispenser - Horizontal

The Sabre range of liquid soap dispensers have been developed to meet the demand for a suitable liquid soap dispenser that can be used within commercial projects. Sabre liquid soap dispensers are created with a sleek modern design in mind and are made from Stainless Steel with a satin finish.

The easy to use and dispensing system has been cycle tested to exceed 500,000 operations and has been designed with a lockable lid to prevent tampering.

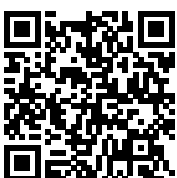
The 1.2L capacity dispenser comes standard with a plastic insert to help protect against corrosive soaps. Its complementing design in both horizontal and vertical layouts are to ensure they suit a variety of commercial applications when required.

* Not suitable with any alcohol or iodine based soaps or liquids.

ABS plastic pump
Sight gauge for refill
Concealed mounting
304 stainless steel
Lockable lid

SPECIFICATION

MPN	SAB-LSD-H-SSS
Brand	Sabre
Product Height	122mm
Product Width	210mm
Projection or Length	94mm
Product Finish or Colour	Satin Stainless Steel (SSS)
Product Material	304 Stainless Steel, ABS Plastic
Includes Fixing Screws	Yes
AS1428.1 Compliant	Yes
Lockable	Yes
Fixing	Concealed Fixed
Mounting Type	Surface Mounted
Blocking Required	No



Sabre Liquid Soap Dispenser - Horizontal

Scan to view online and for additional product information , or call us on **1800 555 600**.

Print Date: 29/4/24

Activation	Push
Filling Type	Top
Self Adhesive	No
Orientation	Horizontal
Security Fixing	No
Soap Type	Non-Corrosive
Product Warranty	1 Year

ADDITIONAL IMAGES



Sabre Liquid Soap Dispenser - Horizontal

Scan to view online and for additional product information , or call us on **1800 555 600**.

Print Date: 29/4/24