



Sabre Narrow Plate Internal Cylinder & Lever Plate - Satin Stainless Steel

SKU SAB-NSS-VCL-H01-SS

MPN SAB-NSS-VCL-H01-SS



DESCRIPTION

Sabre Narrow Plate Internal Cylinder & Lever Plate Satin Stainless Steel

Dimensions - 185mm L x 26mm W x 12mm D
Suits 35mm - 50mm aluminium doors
Tested to 300,000 cycles
Non-handed
Satin stainless steel finish
Suits popular Australian short backset mortice locks
10 year manufacturer's warranty
AS1428.1 compliant

SPECIFICATION

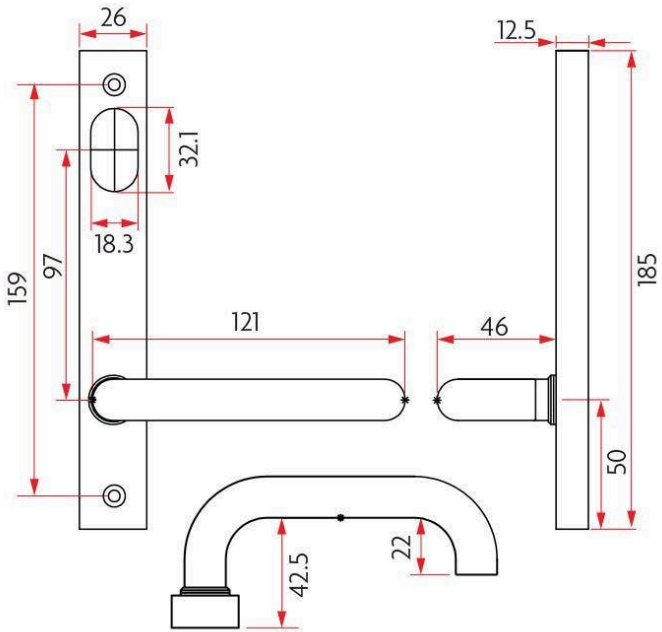
MPN	SAB-NSS-VCL-H01-SS
Brand	Sabre
Projection or Length	58.5mm
Plate Height	185mm
Plate Width	26mm
Product Finish or Colour	Satin Stainless Steel (SSS)
Product Material	304 Stainless Steel
Square / Round Face	Square
Includes Fixing Screws	No
AS1428.1 Compliant	Yes
Fire Tested	No
Suitable for Door Type	Aluminium Doors
SCEC Rating	No
Handing	Non-Handed
Cylinder Cut Out Profile	Oval
Spindle Size	7.6mm
Fixing	Visible Fixed
Finger Clearance	43mm
Max Door Thickness	50mm
Product Warranty	10 Years Mechanical



Sabre Narrow Plate Internal Cylinder & Lever Plate - Satin Stainless Steel
Scan to view online and for additional product information , or call us on **1800 555 600**.

Print Date: 24/4/24

ADDITIONAL IMAGES



Sabre Narrow Plate Internal Cylinder & Lever Plate - Satin Stainless Steel
Scan to view online and for additional product information , or call us on **1800 555 600**.

Print Date: 24/4/24