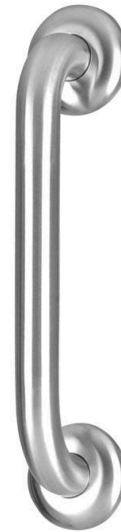




Sabre Grab Rail Straight - Satin Stainless Steel - 300mm

SKU SAB-GR-300-SSS

MPN SAB-GR-300-SSS



DESCRIPTION

Sabre SABGR-300 Grab Rail Straight Satin Stainless Steel

Dimensions - 300mm x 32mm dia
Straight grab rail
5 fixing points per mount
77mm twist & concealed flange covers
AS1428.1 compliant

SPECIFICATION

MPN	SAB-GR-300-SSS
Brand	Sabre
Product Length	378mm
Product Warranty	5 Years
Product Height	77mm
Projection or Length	86mm
Product Diameter	32mm
Product Finish or Colour	Satin Stainless Steel (SSS)
Product Material	304 Stainless Steel
Includes Fixing Screws	Yes
AS1428.1 Compliant	Yes
Antiligature	No
Antimicrobial	No
Bariatric	No
Handing	Non-Handed
Fixing	Concealed Fixed
Centre to Centre Distance	300mm
Grab Rail Angle	Straight
Finger Clearance	54mm
Mounting Plate Diameter	78mm
Blocking Required	Yes
Number of Brackets	2
Max Door Weight	110kg



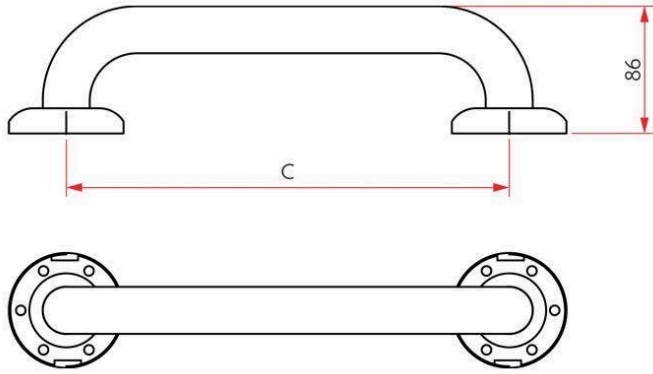
Sabre Grab Rail Straight - Satin Stainless Steel - 300mm

Scan to view online and for additional product information , or call us on **1800 555 600**.

Print Date: 30/4/24

Static Load 110kg
Security Fixing No

ADDITIONAL IMAGES



Sabre Grab Rail Straight - Satin Stainless Steel - 300mm
Scan to view online and for additional product information , or call us on **1800 555 600**.

Print Date: 30/4/24