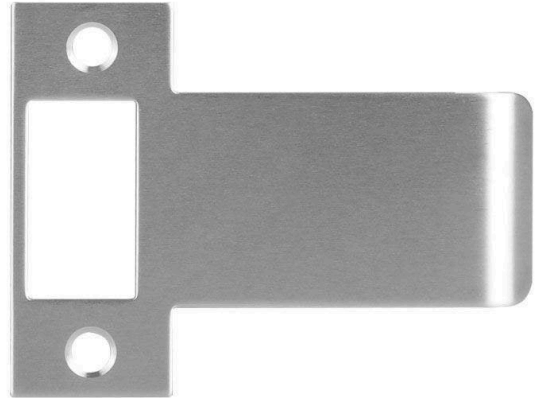




Sabre Strike Plate - Satin Stainless Steel - 80mm

SKU SAB-SP80MM-SSS

MPN SAB-SP80-SSS



DESCRIPTION

Sabre SAB-SP80MM-SSS Strike Plate Satin Stainless Steel

Made from 1.5mm 304 stainless steel
Suits maximum frame depth of 82.5mm
Length - 80mm
Timber fixing screws supplied

SPECIFICATION

MPN	SAB-SP80-SSS
Brand	Sabre
Product Finish or Colour	Satin Stainless Steel (SSS)
Product Material	Stainless Steel
Product Warranty	10 Years

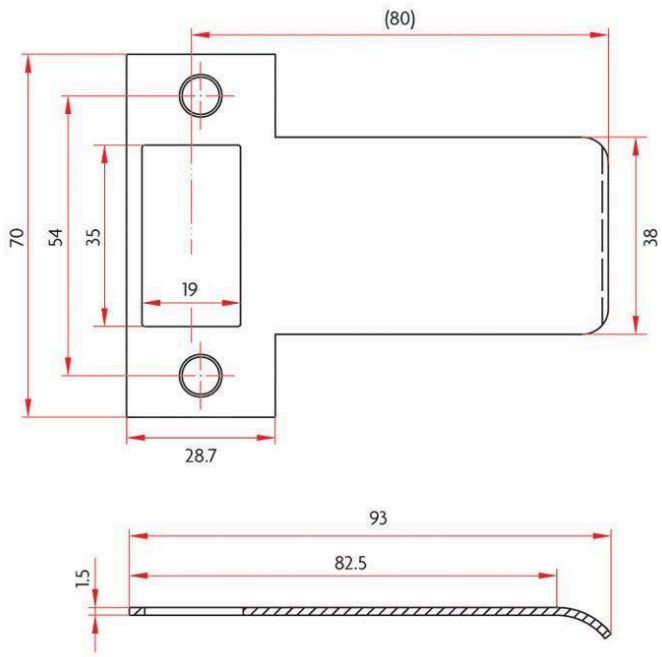
ADDITIONAL IMAGES



Sabre Strike Plate - Satin Stainless Steel - 80mm

Scan to view online and for additional product information , or call us on **1800 555 600**.

Print Date: 24/4/24



Sabre Strike Plate - Satin Stainless Steel - 80mm

Scan to view online and for additional product information , or call us on **1800 555 600**.

Print Date: 24/4/24