



Sabre Tubular Latch – 60mm Backset

SKU SAB-TL-60-T-SSS

MPN SAB-TL-60-T-SSS



DESCRIPTION

Sabre Tubular Latch

60mm backset
Supplied with T shape strike plate
Spindle is included

Fixings

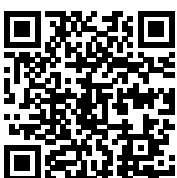
Timber fixing screws supplied for strike and face plates

Finish

SSS - Satin Stainless Steel

SPECIFICATION

MPN	SAB-TL-60-T-SSS
Brand	Sabre
Product Width	25mm
Product Height	80mm
Product Length	57mm
Product Finish or Colour	Satin Stainless Steel (SSS)
Product Material	Stainless Steel, Steel
Lock Backset	60mm
Includes Fixing Screws	Yes
Fire Tested	No
Includes Strike Plate	Yes
Has Deadlatching	No
Bolt Diameter	16mm x 12mm
Suits Rebated Doors	No
Min Door Thickness	32mm
Product Warranty	10 Years

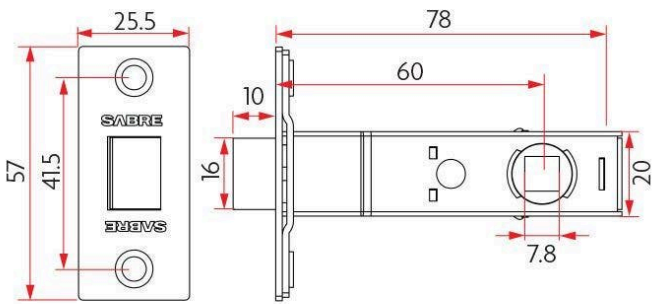


Sabre Tubular Latch – 60mm Backset

Scan to view online and for additional product information , or call us on **1800 555 600**.

Print Date: 27/4/24

ADDITIONAL IMAGES



Sabre Tubular Latch – 60mm Backset

Scan to view online and for additional product information , or call us on **1800 555 600**.

Print Date: 27/4/24