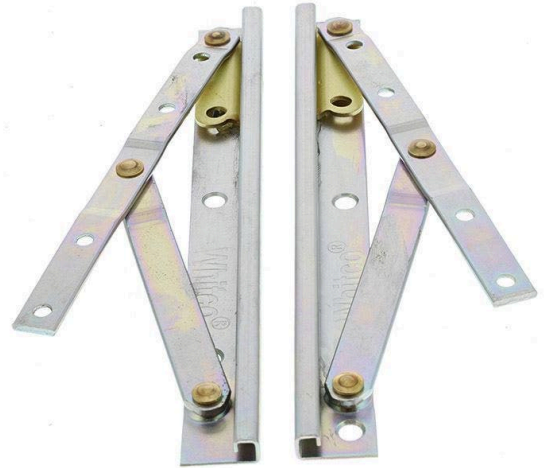




# Whitco W020801 Casement/Awning Narrow Non Friction Window Stay - Silver- 300mm

SKU LW020801

MPN W020801



## DESCRIPTION

### Whitco W020801 21mm Non-Friction Window Stays Galvanised

Suits casement & some awning window applications  
Dimensions - 300mm L x 20mm W - narrow base plate  
Non-friction stay (suitable for use with awning window chainwinders)  
Passivated galvanised zinc plated (Yellow finish)  
Maximum sash weight - 12.3kg  
Maximum sash height - 1350mm (Casement - REFER SELECTION CHART)  
Maximum sash width - 900mm (Awning - REFER SELECTION CHART)  
10 year manufacturer's warranty

Please refer to the size selection chart for maximum height & width dimensions

## SPECIFICATION

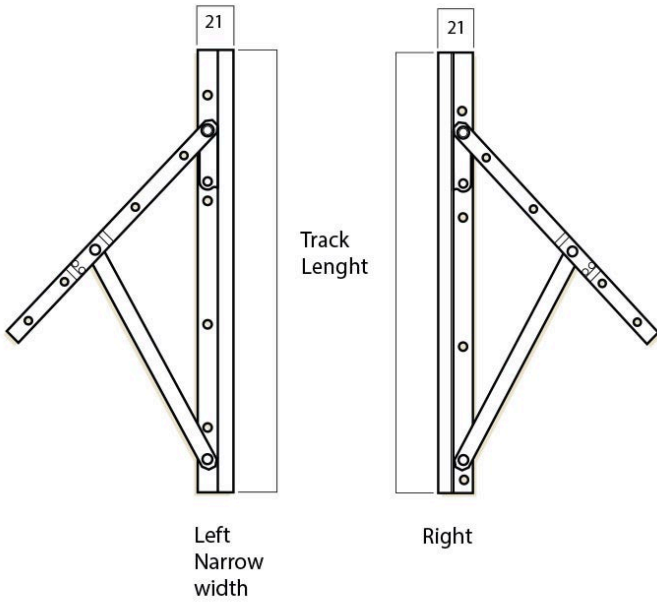
<b>MPN</b>	W020801
<b>Brand</b>	Whitco
<b>Product Width</b>	21mm
<b>Product Length</b>	300mm
<b>Max Weight</b>	7.3kg
<b>Product Finish or Colour</b>	Silver (SIL)
<b>Product Material</b>	Zinc Plated Steel
<b>Includes Fixing Screws</b>	Yes
<b>Fixing</b>	Visible Fixed
<b>Product Warranty</b>	10 Years Mechanical

## ADDITIONAL IMAGES



**Whitco W020801 Casement/Awning Narrow Non Friction Window Stay - Silver- 300mm**  
Scan to view online and for additional product information , or call us on **1800 555 600**.

Print Date: 27/4/24



**Whitco W020801 Casement/Awning Narrow Non Friction Window Stay - Silver- 300mm**  
Scan to view online and for additional product information , or call us on **1800 555 600**.

Print Date: 27/4/24