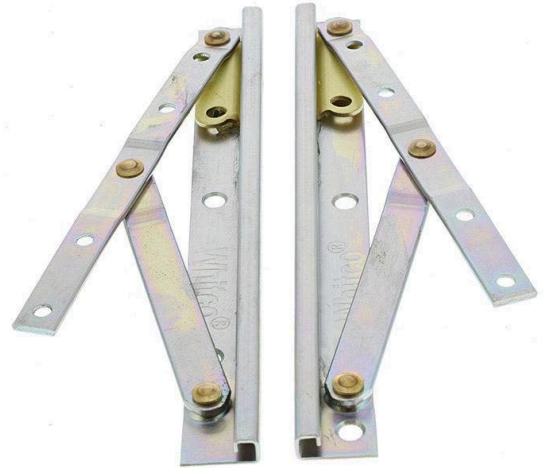




Whitco W021201 Casement/Awning Narrow Non Friction Window Stay - Silver - 400mm

SKU LW021201

MPN W021201



DESCRIPTION

Whitco W021201 21mm Window Stays Galvanised

Suits casement & some awning window applications
Dimensions - 400mm L x 20mm W narrow base plate
Non-friction stay (suitable for use with awning window chainwinders)
Passivated galvanised zinc plated (Yellow finish)
Maximum sash weight - 12.3kg
Maximum sash height - 1350mm (Casement - REFER SELECTION CHART)
Maximum sash width - 900mm (Awning - REFER SELECTION CHART)
10 year manufacturer's warranty

SPECIFICATION

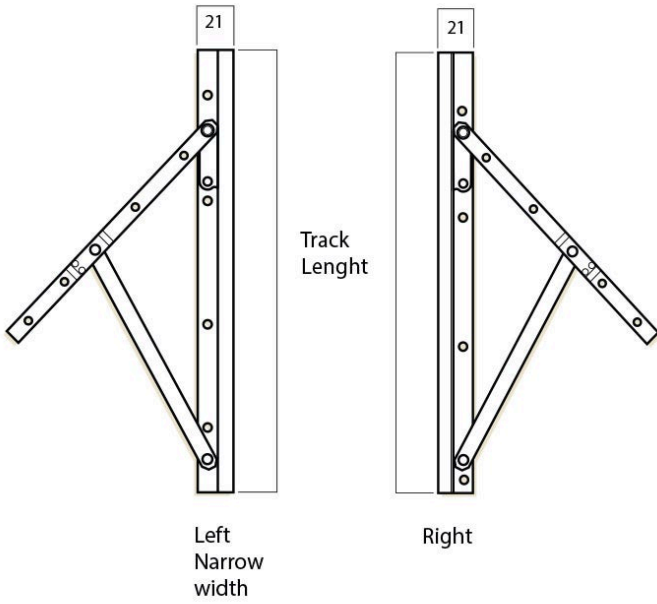
MPN	W021201
Brand	Whitco
Product Width	21mm
Product Length	400mm
Max Weight	9.5kg
Product Finish or Colour	Silver (SIL)
Product Material	Zinc Plated Steel
Includes Fixing Screws	Yes
Fixing	Visible Fixed
Product Warranty	10 Years Mechanical

ADDITIONAL IMAGES



Whitco W021201 Casement/Awning Narrow Non Friction Window Stay - Silver - 400mm
Scan to view online and for additional product information , or call us on **1800 555 600**.

Print Date: 28/4/24



Whitco W021201 Casement/Awning Narrow Non Friction Window Stay - Silver - 400mm
Scan to view online and for additional product information , or call us on **1800 555 600**.

Print Date: 28/4/24