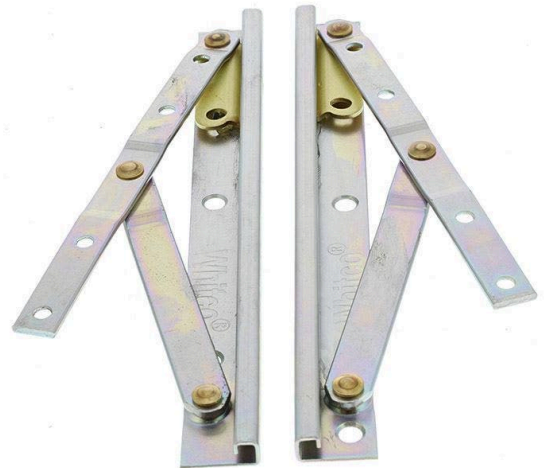




Whitco W021601 Casement/Awning Narrow Non Friction Window Stay - Silver - 500mm

SKU LWW021601

MPN W021601



DESCRIPTION

Whitco 21mm Non-Friction Window Stay Galvanised

Suits casement & some awning window applications
Dimensions - 500mm L x 20mm W - narrow base plate
Non-friction stay (suitable for use with awning window chainwinders)
Passivated galvanised zinc plated (yellow finish)
Maximum sash weight - 12.3kg
Maximum sash height - 1350mm (Casement - REFER SELECTION CHART)
Maximum sash width - 900mm (Awning - REFER SELECTION CHART)
10 year manufacturer's warranty

Please refer to the size selection chart for maximum height & width dimensions

SPECIFICATION

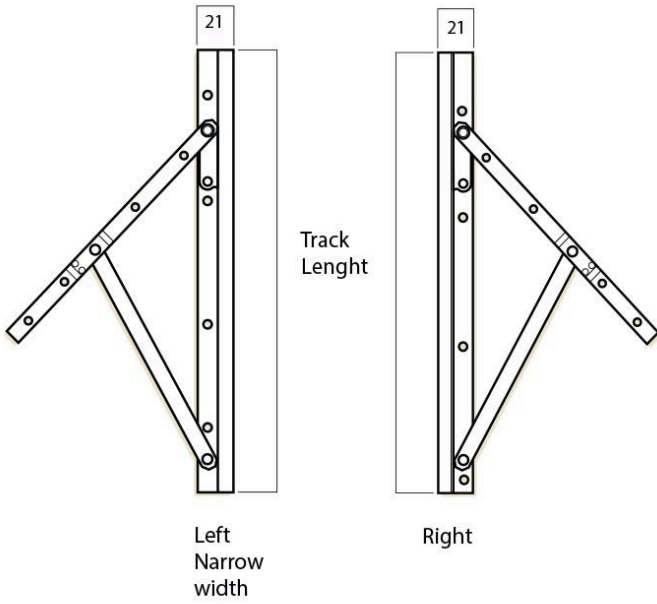
MPN	W021601
Brand	Whitco
Product Width	21mm
Product Length	500mm
Max Weight	11.3kg
Product Finish or Colour	Silver (SIL)
Product Material	Zinc Plated Steel
Includes Fixing Screws	Yes
Fixing	Visible Fixed
Product Warranty	10 Years Mechanical

ADDITIONAL IMAGES



Whitco W021601 Casement/Awning Narrow Non Friction Window Stay - Silver - 500mm
Scan to view online and for additional product information , or call us on **1800 555 600**.

Print Date: 28/4/24



Whitco W021601 Casement/Awning Narrow Non Friction Window Stay - Silver - 500mm
Scan to view online and for additional product information , or call us on **1800 555 600**.

Print Date: 28/4/24