



Sabre Wide Plate Concealed Fix with Lever and Cylinder Hole

SKU SAB-WPS-CCL-H01-SS

MPN SAB-WPS-CCL-H01-SSS



DESCRIPTION

Sabre Wide Plate Concealed Fix, Lever with Cylinder Hole

Concealed fix, lever with cylinder hole
Plate size 168mm x 48mm x 11.5mm
Suitable for doors between 34mm and 50mm in thickness
2 x 65mm M4 fixing screws
Tested for durability for up to 500,000 cycles
Non handed lever

FINISH

SSS - Satin Stainless Steel

SPECIFICATION

MPN	SAB-WPS-CCL-H01-SSS
Brand	Sabre
Product Height	168mm
Product Length	146mm
Product Thickness	11.5mm
Projection or Length	62mm
Plate Width	48mm
Plate Height	168mm
Product Finish or Colour	Satin Stainless Steel (SSS)
Product Material	304 Stainless Steel
Includes Fixing Screws	Yes
AS1428.1 Compliant	Yes
Fire Tested	Yes
Square / Round Face	Square
Handing	Non-Handed
Cylinder Cut Out Profile	Oval
Spindle Size	7.6mm
Fixing	Concealed Fixed
Finger Clearance	44mm



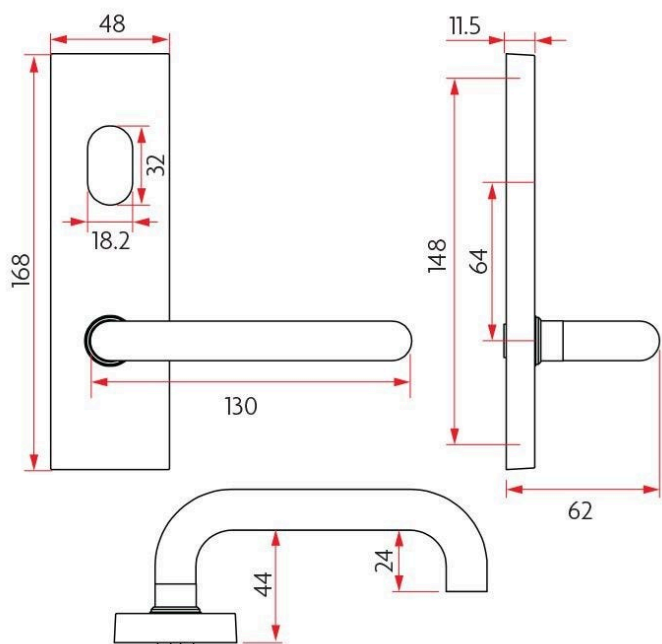
Sabre Wide Plate Concealed Fix with Lever and Cylinder Hole

Scan to view online and for additional product information , or call us on **1800 555 600**.

Print Date: 28/4/24

Max Door Thickness 50mm
Product Warranty 10 Years

ADDITIONAL IMAGES



Sabre Wide Plate Concealed Fix with Lever and Cylinder Hole
Scan to view online and for additional product information , or call us on **1800 555 600**.

Print Date: 28/4/24