



Metlam MLR102 Toilet Grab Rail - 30 Degree Angled - Right Hand - Satin Stainless Steel



SKU MLR102SSS

MPN MLR102_X

DESCRIPTION

Metlam MLR102 Flush Mount Side Wall RH Grab Rail SSS

Right handed set
Compliant with AS1428.1 (refer to manufacturer note)
Concealed Fix

Material

304 grade Stainless Steel

Finish

Satin stainless steel

Measurements

Rail diameter - 32mm
Concealed fixing - 78mm diameter
Includes 300mm Rail (refer to manufacturer note)
Manufacturer note; Some cisterns and setups may require minimum 400mm or 450mm side rail to comply with AS1428.1 Please confirm before ordering.

SPECIFICATION

MPN	MLR102_X
Brand	Metlam
Projection or Length	87mm
Product Diameter	32mm
Product Finish or Colour	Satin Stainless Steel (SSS)
Product Material	304 Stainless Steel
Includes Fixing Screws	No
AS1428.1 Compliant	Yes
Antiligature	No
Antimicrobial	Yes
Bariatric	No
Handing	Right Hand

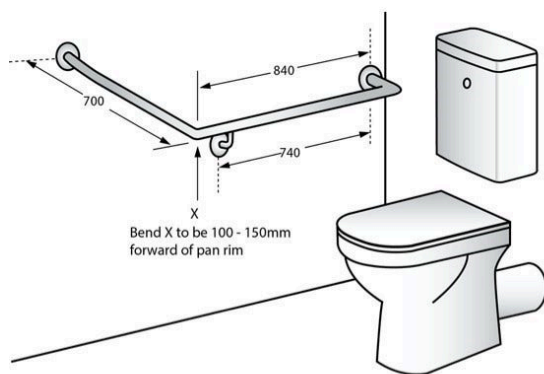


Metlam MLR102 Toilet Grab Rail - 30 Degree Angled - Right Hand - Satin Stainless Steel
Scan to view online and for additional product information , or call us on **1800 555 600**.

Print Date: 17/4/24

Fixing	Concealed Fixed
Horizontal Centre to Centre	840mm
Vertical Centre to Centre	700mm
Grab Rail Angle	30°
Mounting Plate Diameter	78mm
Blocking Required	Yes
Number of Brackets	3
Max Downward Force	1100Nm
Static Load	1100Nm
Orientation	Right Hand
Security Fixing	No
Product Warranty	1 Year

ADDITIONAL IMAGES



Metlam MLR102 Toilet Grab Rail - 30 Degree Angled - Right Hand - Satin Stainless Steel
Scan to view online and for additional product information , or call us on **1800 555 600**.

Print Date: 17/4/24