



RBA 4007-112 Toilet Grab Rail

- Drop Down for Bariatric - Left Hand - Satin Stainless Steel

SKU BOB-RBA4007-112

MPNRBA4007-112



DESCRIPTION

RBA 4007-112 Drop Down Rail for Bariatric LH

Fold out leg to improve strength to 300kg downwards weight
160kgs lateral weight
Designed for Bariatric applications

Measurements

38mm diameter

Material

304 Stainless Steel

Finish

Satin Stainless Steel

SPECIFICATION

MPN	RBA4007-112
Brand	RBA Group
Product Length	850mm
Product Height	805mm
Projection or Length	850mm
Product Diameter	38mm
Product Finish or Colour	Satin Stainless Steel (SSS)
Product Material	304 Stainless Steel
Includes Fixing Screws	No
Antiligature	No
Antimicrobial	No
Bariatric	Yes
Handing	Left Hand
Fixing	Visible Fixed
Blocking Required	Yes
Max Downward Force	500kg Downwards, 160kg Lateral

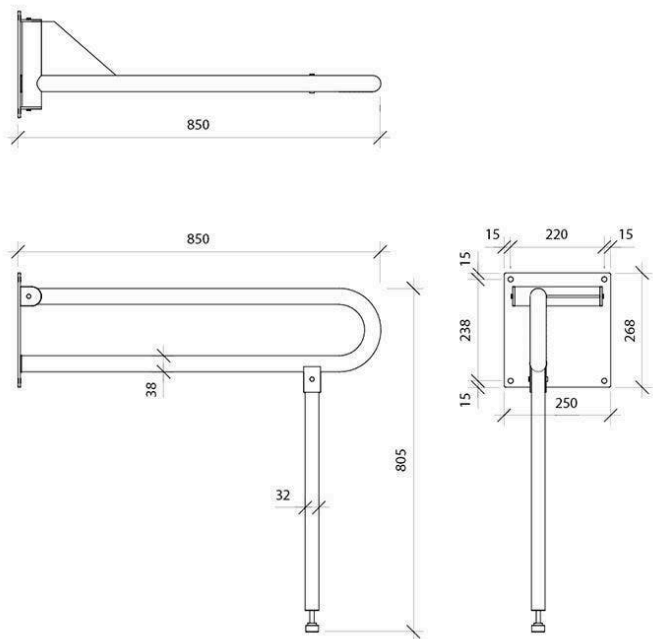


RBA 4007-112 Toilet Grab Rail - Drop Down for Bariatric - Left Hand - Satin Stainless Steel
Scan to view online and for additional product information , or call us on **1800 555 600**.

Print Date: 26/4/24

Static Load	500kg Downwards, 160kg Lateral
Orientation	Left Hand
Security Fixing	No
Product Warranty	1 Year

ADDITIONAL IMAGES



RBA 4007-112 Toilet Grab Rail - Drop Down for Bariatric - Left Hand - Satin Stainless Steel
 Scan to view online and for additional product information , or call us on **1800 555 600**.

Print Date: 26/4/24