



# RBA 4007-115 Toilet Grab Rail - Drop Down for Bariatric with Toilet Roll Holder - Right Hand

SKU BOB-RBA4007-115

MPNRBA4007-115



## DESCRIPTION

### RBA 4007-115 Drop Down Rail for Bariatric with Toilet Roll Holder RH

Fold out leg to improve strength to 300kg downwards weight  
Toilet Roll Holder Included  
160kgs lateral weight  
Designed for Bariatric applications

#### Measurements

38mm diameter

#### Material

304 Stainless Steel

#### Finish

Satin Stainless Steel

## SPECIFICATION

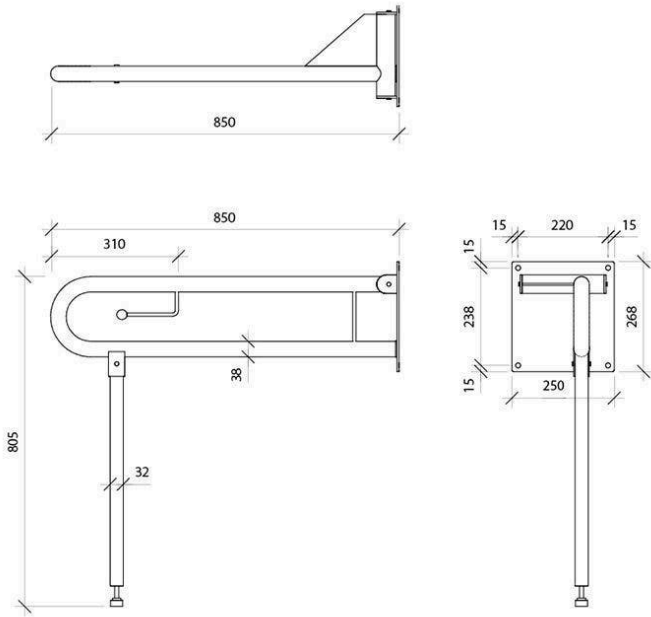
<b>MPN</b>	RBA4007-115
<b>Brand</b>	RBA Group
<b>Product Height</b>	272mm
<b>Product Width</b>	250mm
<b>Projection or Length</b>	850mm
<b>Product Diameter</b>	38mm
<b>Product Length</b>	850mm
<b>Product Finish or Colour</b>	Gloss White Powdercoat
<b>Product Material</b>	304 Stainless Steel
<b>Fixing</b>	Visible Fixed
<b>Mounting Type</b>	Surface Mounted
<b>Blocking Required</b>	Yes
<b>Orientation</b>	Horizontal
<b>Paper Type</b>	Roll
<b>Product Warranty</b>	1 Year



**RBA 4007-115 Toilet Grab Rail - Drop Down for Bariatric with Toilet Roll Holder - Right Hand**  
Scan to view online and for additional product information , or call us on **1800 555 600**.

Print Date: 25/4/24

ADDITIONAL IMAGES



**RBA 4007-115 Toilet Grab Rail - Drop Down for Bariatric with Toilet Roll Holder - Right Hand**  
Scan to view online and for additional product information , or call us on **1800 555 600**.

Print Date: 25/4/24