



# RBA 4007-116 Toilet Grab Rail - Drop Down for Bariatric with Nurse Call - Left Hand - Satin Stainless Steel

SKU BOB-RBA4007-116

MPNRBA4007-116



## DESCRIPTION

### RBA 4007-116 Drop Down Rail for Bariatric with Nurse Call Button LH

Fold out leg to improve strength to 300kg downwards weight  
Nurse call button  
160kgs lateral weight  
Designed for Bariatric applications

#### Measurements

38mm diameter

#### Material

304 Stainless Steel

#### Finish

Satin Stainless Steel

## SPECIFICATION

MPN	RBA4007-116
Brand	RBA Group
Product Length	850mm
Product Height	805mm
Projection or Length	850mm
Product Diameter	38mm
Product Finish or Colour	Satin Stainless Steel (SSS)
Product Material	304 Stainless Steel
Includes Fixing Screws	No
Antiligature	No
Antimicrobial	No
Bariatric	Yes
Handing	Left Hand
Fixing	Visible Fixed



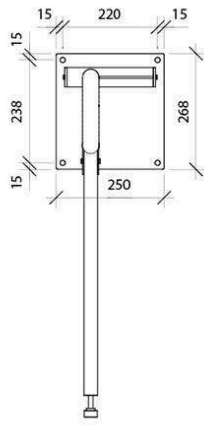
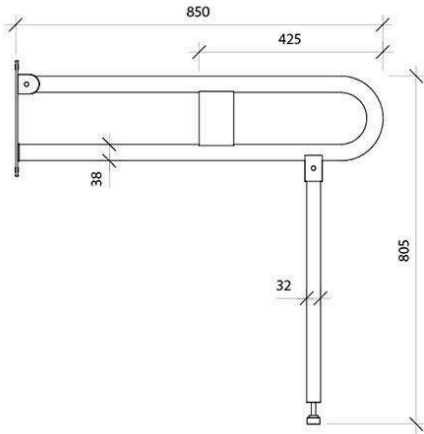
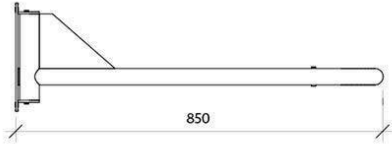
**RBA 4007-116 Toilet Grab Rail - Drop Down for Bariatric with Nurse Call - Left Hand - Satin Stainless Steel**

Scan to view online and for additional product information , or call us on **1800 555 600**.

Print Date: 20/4/24

<b>Blocking Required</b>	Yes
<b>Max Downward Force</b>	500kg Downwards, 160kg Lateral
<b>Static Load</b>	500kg Downwards, 160kg Lateral
<b>Orientation</b>	Left Hand
<b>Security Fixing</b>	No
<b>Product Warranty</b>	1 Year

**ADDITIONAL IMAGES**



**RBA 4007-116 Toilet Grab Rail - Drop Down for Bariatric with Nurse Call - Left Hand - Satin Stainless Steel**  
 Scan to view online and for additional product information , or call us on **1800 555 600**.

Print Date: 20/4/24