



# Bobrick B2012 Soap Dispenser - Automatic Model - Satin Stainless Steel - 850 ml

SKU BOB2012

MPNB-2012



## DESCRIPTION

### Bobrick B2012 Automatic Wall Mounted Soap Dispenser

#### Material

Satin stainless steel

#### Features

Sensor operated  
Accessible compliant  
Corrosion resistant valve

#### Dimensions

108mm W x 268mm H  
850mL capacity

## SPECIFICATION

<b>MPN</b>	B-2012
<b>Brand</b>	Bobrick
<b>Product Height</b>	268mm
<b>Product Width</b>	108mm
<b>Projection or Length</b>	107mm
<b>Product Depth</b>	107mm
<b>Product Finish or Colour</b>	Satin Stainless Steel (SSS)
<b>Product Material</b>	304 Stainless Steel
<b>Includes Fixing Screws</b>	Yes
<b>AS1428.1 Compliant</b>	Yes
<b>Lockable</b>	Yes
<b>Fixing</b>	Concealed Fixed
<b>Mounting Type</b>	Surface Mounted
<b>Blocking Required</b>	Yes
<b>Activation</b>	Hands Free Sensor

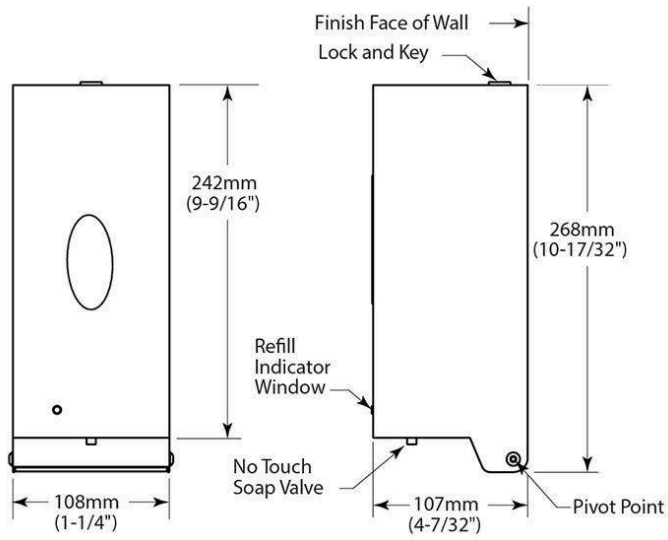


**Bobrick B2012 Soap Dispenser - Automatic Model - Satin Stainless Steel - 850 ml**  
Scan to view online and for additional product information , or call us on **1800 555 600**.

Print Date: 26/4/24

<b>Self Adhesive</b>	Yes
<b>Orientation</b>	Vertical
<b>Soap Type</b>	Refer Supplier Website *
<b>Product Warranty</b>	1 Year

## ADDITIONAL IMAGES



**Bobrick B2012 Soap Dispenser - Automatic Model - Satin Stainless Steel - 850 ml**  
 Scan to view online and for additional product information , or call us on **1800 555 600**.

Print Date: 26/4/24