



Bobrick B40 Soap Dispenser - Classic ABS Plastic Model - 500ml

SKU BOB40

MPNB-40



DESCRIPTION

Bobrick B40 Classic Surface Mounted Soap Dispenser

Valve dispenses all-purpose soaps
Vandal resistant life has keyless locking device
Translucent container provides visible soap levels
Concealed wall/mirror mounting, removable for cleaning
Two tone black and grey

Capacity

1/2 L

Measurements

150mm W x 175mm H

SPECIFICATION

MPN	B-40
Brand	Bobrick
Product Height	175mm
Product Width	145mm
Product Depth	85mm
Product Finish or Colour	Black / Grey
Product Material	ABS Plastic
AS1428.1 Compliant	Yes
Lockable	Yes
Fixing	Concealed Fixed
Mounting Type	Surface Mounted
Blocking Required	Yes
Activation	Valve Push
Filling Type	Top
Self Adhesive	Yes
Orientation	Vertical



Bobrick B40 Soap Dispenser - Classic ABS Plastic Model - 500ml

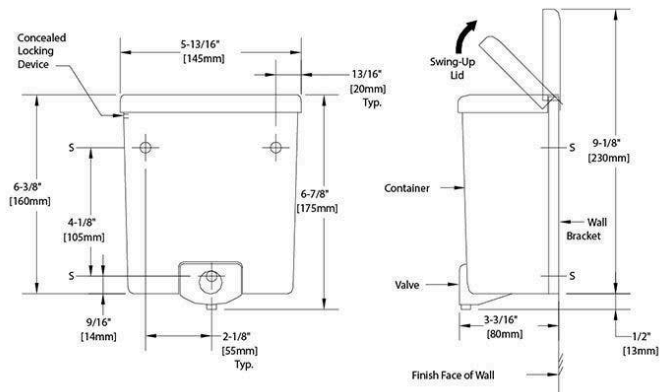
Scan to view online and for additional product information , or call us on **1800 555 600**.

Print Date: 26/4/24

Soap Type
Product Warranty

Refer Supplier Website *
1 Year

ADDITIONAL IMAGES



Bobrick B40 Soap Dispenser - Classic ABS Plastic Model - 500ml
Scan to view online and for additional product information , or call us on **1800 555 600**.

Print Date: 26/4/24