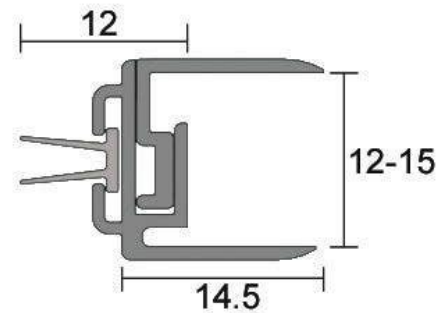




Kilargo IS7330si Meeting Style - Astragal Seal - 2250mm - Clear Anodised Aluminium

SKU LO-IS7330SI-2250CA

MPN IS7330SI-2250CA



DESCRIPTION

The IS7330si seal is adjustable to suit hinged or pivoted frameless glass doors. All seals are designed to suit 12-15mm frameless glass doors, providing ambient temperature smoke containment, along with draught and dust protection. The high performance silicone gaskets also protect glass doors from colliding during closure. These seals have an easy self-adhesive application and can be used independently for various door applications.

Gap Size

Dependent upon application

Standard Lengths

2250mm

Also available in: 250mm increments from 1000mm to 5000mm (Special Order Only)

Standard Finishes

Silver anodised aluminium with grey silicone gasket
(Black silicone gasket also available upon request)

Approvals

Conforms with NCC Specification C3.4 smoke sealing requirements

SPECIFICATION

MPN	IS7330SI-2250CA
Brand	Kilargo
Product Width	15mm
Door Seal Length	2250mm
Product Length	2250mm
Product Thickness	12mm
Product Finish or Colour	Clear Anodised (CA)
Product Material	Aluminium
Includes Fixing Screws	No
Fire Tested	No
Acoustic Rated to AS1191 and ISO140.3	No
Suitable for Smoke Doors	Yes

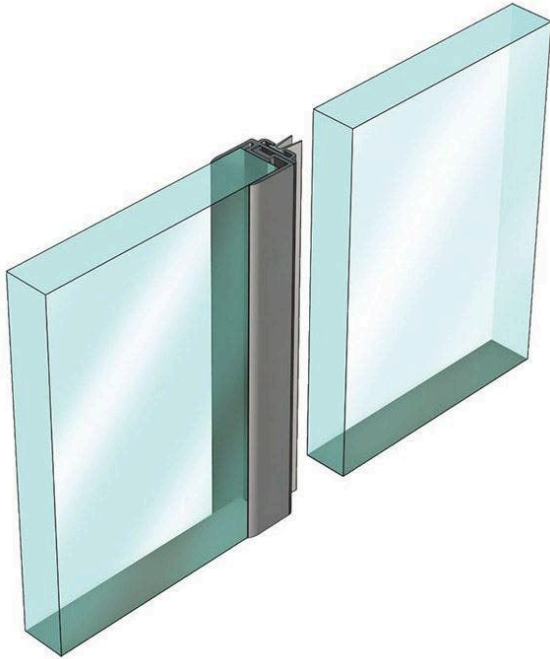


Kilargo IS7330si Meeting Style - Astragal Seal - 2250mm - Clear Anodised Aluminium
Scan to view online and for additional product information , or call us on **1800 555 600**.

Print Date: 23/4/24

Suitable for Door Type	Glass Doors
Contains Intumescent Material	No
Seal Can Be Installed	Surface Fix
Gasket / Seal Colour	Grey
Gasket Material	Silicon
Self Adhesive	Yes
Product Warranty	2 Years

ADDITIONAL IMAGES



Kilargo IS7330si Meeting Style - Astragal Seal - 2250mm - Clear Anodised Aluminium
Scan to view online and for additional product information , or call us on **1800 555 600**.

Print Date: 23/4/24