



Bobrick B359 Paper Towel Dispenser - Classic Recessed Model - Satin Stainless Steel

SKU BOB359

MPNB-359



DESCRIPTION

Bobrick B359 Classic Recessed Paper Towel Dispenser

Material

304 stainless steel

Finish

Satin

Features

Seamless beveled flange

Piano hinge swings down for easy fill-up

Capacity - 350 C-fold or 475 multifold paper towels

Rough wall opening: 285 x 395 x 100mm

SPECIFICATION

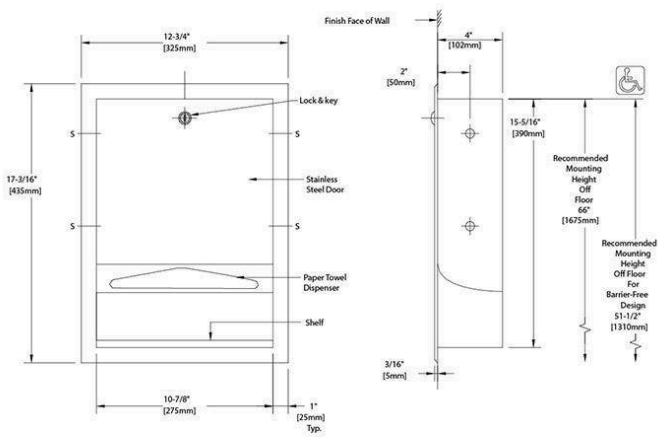
MPN	B-359
Brand	Bobrick
Product Height	435mm
Product Width	325mm
Product Depth	100mm
Projection or Length	5mm
Product Finish or Colour	Satin Stainless Steel (SSS)
Product Material	304 Stainless Steel
AS1428.1 Compliant	Yes
Lockable	Yes
Mounting Type	Recessed
Blocking Required	Yes
Rough Wall Opening Width	285mm
Rough Wall Opening Height	395mm
Rough Wall Opening Depth	102mm
Orientation	Vertical
Paper Type	Multifold



Bobrick B359 Paper Towel Dispenser - Classic Recessed Model - Satin Stainless Steel
Scan to view online and for additional product information , or call us on **1800 555 600**.

Print Date: 26/4/24

ADDITIONAL IMAGES



Bobrick B359 Paper Towel Dispenser - Classic Recessed Model - Satin Stainless Steel
Scan to view online and for additional product information , or call us on **1800 555 600**.

Print Date: 26/4/24