



Bobrick B273 Toilet Roll Holder - Satin Aluminium

SKU BOB273

MPNB-273



DESCRIPTION

Bobrick B273 Surface Mounted Toilet Tissue Dispenser for Single Roll

Material

Cast aluminium

Finish

Satin

Features

Spindles have concealed locking device

165mm W

Controlled delivery

SPECIFICATION

MPN	B-273
Brand	Bobrick
Product Height	40mm
Product Width	165mm
Product Warranty	1 Year
Projection or Length	125mm
Product Finish or Colour	Satin Aluminium
Product Material	Aluminium
AS1428.1 Compliant	Yes
Fixing	Visible Fixed
Mounting Type	Surface Mounted
Blocking Required	Yes
Orientation	Horizontal
Paper Type	Roll

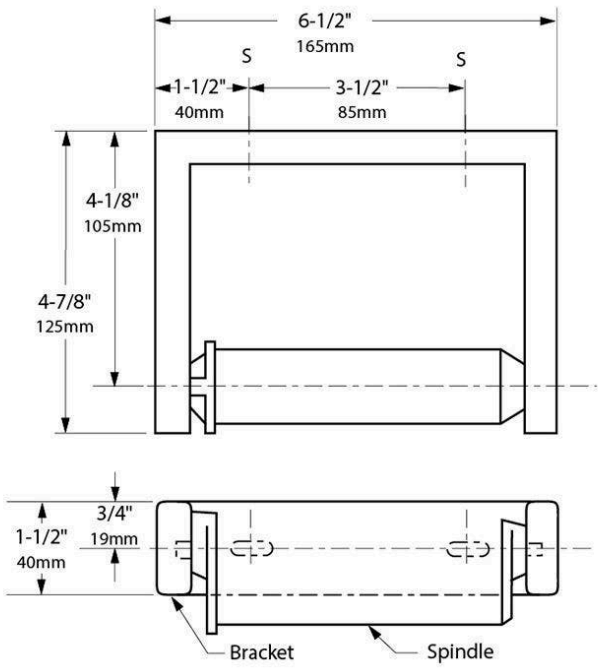
ADDITIONAL IMAGES



Bobrick B273 Toilet Roll Holder - Satin Aluminium

Scan to view online and for additional product information , or call us on **1800 555 600**.

Print Date: 21/5/25



Bobrick B273 Toilet Roll Holder - Satin Aluminium

Scan to view online and for additional product information , or call us on **1800 555 600**.

Print Date: 21/5/25