



Bobrick B6699 Toilet Roll Dispenser with Hood - Polished Stainless Steel

SKU BOB6699

MPNB-6699



DESCRIPTION

Bobrick B6699 Surface Mounted Toilet Tissue Dispenser with Hood

Material

Stainless Steel

Finish

Bright-polished stainless steel

Benefits

Hood protects paper

Chrome plated plastic spindle holds rolls up to 130mm diameter

SPECIFICATION

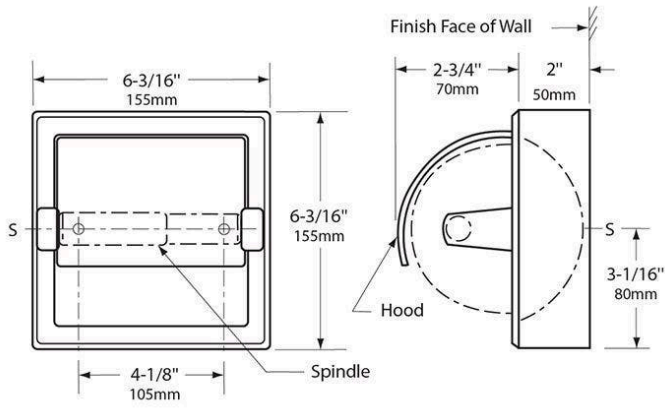
MPN	B-6699
Brand	Bobrick
Product Height	155mm
Product Width	155mm
Projection or Length	120mm
Product Depth	120mm
Product Finish or Colour	Chrome Polish (CP)
Product Material	304 Stainless Steel
Includes Fixing Screws	Yes
Fixing	Concealed Fixed
Mounting Type	Surface Mounted
Blocking Required	Yes
Orientation	Horizontal
Paper Type	Roll
Product Warranty	1 Year

ADDITIONAL IMAGES



Bobrick B6699 Toilet Roll Dispenser with Hood - Polished Stainless Steel
Scan to view online and for additional product information , or call us on **1800 555 600**.

Print Date: 26/4/24



Bobrick B6699 Toilet Roll Dispenser with Hood - Polished Stainless Steel
 Scan to view online and for additional product information , or call us on **1800 555 600**.

Print Date: 26/4/24