



# Bobrick B6999 Toilet Roll Dispenser Double with Hood - Polished Stainless Steel

SKU BOB6999

MPNB-6999



## DESCRIPTION

**Bobrick B6999 Surface Mounted Toilet Tissue Dispenser with Hood for Two Rolls**

### Hood protects paper

Holds roll up to 130mm diameter (1500 sheets)  
315mm W x 155mm H

### Material

Shell and flange 304 grade stainless steel  
Chrome plated plastic spinder

### Finish

Bright polished stainless steel

## SPECIFICATION

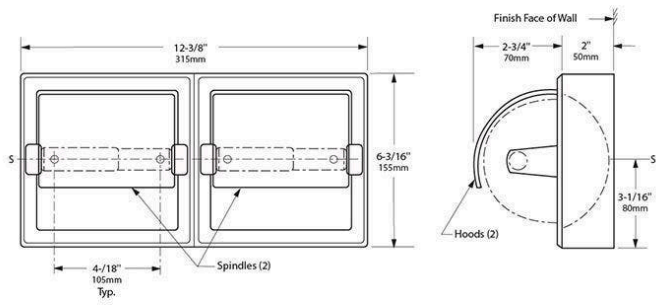
<b>MPN</b>	B-6999
<b>Brand</b>	Bobrick
<b>Product Height</b>	155mm
<b>Product Width</b>	315mm
<b>Projection or Length</b>	120mm
<b>Product Depth</b>	120mm
<b>Product Finish or Colour</b>	Chrome Polish (CP)
<b>Product Material</b>	304 Stainless Steel
<b>Includes Fixing Screws</b>	Yes
<b>AS1428.1 Compliant</b>	Yes
<b>Fixing</b>	Concealed Fixed
<b>Mounting Type</b>	Surface Mounted
<b>Blocking Required</b>	Yes
<b>Orientation</b>	Horizontal
<b>Paper Type</b>	Roll x 2
<b>Product Warranty</b>	1 Year



**Bobrick B6999 Toilet Roll Dispenser Double with Hood - Polished Stainless Steel**  
Scan to view online and for additional product information , or call us on **1800 555 600**.

Print Date: 28/4/24

ADDITIONAL IMAGES



**Bobrick B6999 Toilet Roll Dispenser Double with Hood - Polished Stainless Steel**  
Scan to view online and for additional product information , or call us on **1800 555 600**.

Print Date: 28/4/24