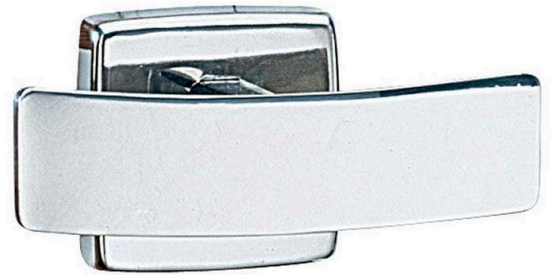




# Bobrick B672 Double Coat Hook - Polished Stainless Steel

SKU BOB672

MPNB-672



## DESCRIPTION

### Bobrick B672 Surface Mounted Double Coat Hook

#### Material

Stainless Steel

#### Finish

Bright polished stainless steel

#### Benefits

Contoured 100mm wide bar forms hook at each end  
Flange is 50 x 50mm  
Projects 60mm from wall

## SPECIFICATION

<b>MPN</b>	B-672
<b>Brand</b>	Bobrick
<b>Product Width</b>	105mm
<b>Product Height</b>	50mm
<b>Projection or Length</b>	60mm
<b>Product Finish or Colour</b>	Polished Stainless Steel (PSS)
<b>Product Material</b>	304 Stainless Steel
<b>Includes Fixing Screws</b>	Yes
<b>Antiligature</b>	No
<b>Fixing</b>	Concealed Fixed
<b>Security Fixing</b>	No
<b>Number of Hooks</b>	2
<b>Product Warranty</b>	1 Year

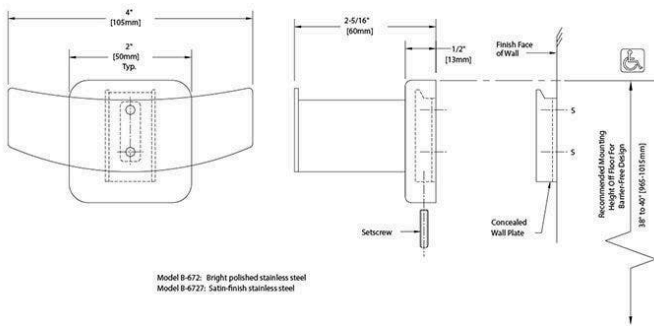
## ADDITIONAL IMAGES



### Bobrick B672 Double Coat Hook - Polished Stainless Steel

Scan to view online and for additional product information , or call us on **1800 555 600**.

Print Date: 23/4/24



**Bobrick B672 Double Coat Hook - Polished Stainless Steel**

Scan to view online and for additional product information , or call us on **1800 555 600**.

Print Date: 23/4/24