



Bobrick B682 Hat and Coat Hook - Polished Stainless Steel

SKU BOB682

MPNB-682



DESCRIPTION

Material

Stainless Steel

Finish

Bright polished stainless steel

Features

Flange is 50 x 50mm
Hook measures W 25 x H 165mm
Concealed wall plate
Projects 80mm from wall

SPECIFICATION

MPN	B-682
Brand	Bobrick
Product Width	50mm
Product Warranty	1 Year
Product Height	165mm
Projection or Length	80mm
Product Finish or Colour	Polished Stainless Steel (PSS)
Product Material	304 Stainless Steel
AS1428.1 Compliant	Yes
Includes Fixing Screws	Yes
Antiligature	No
Fixing	Concealed Fixed
Security Fixing	No
Number of Hooks	2

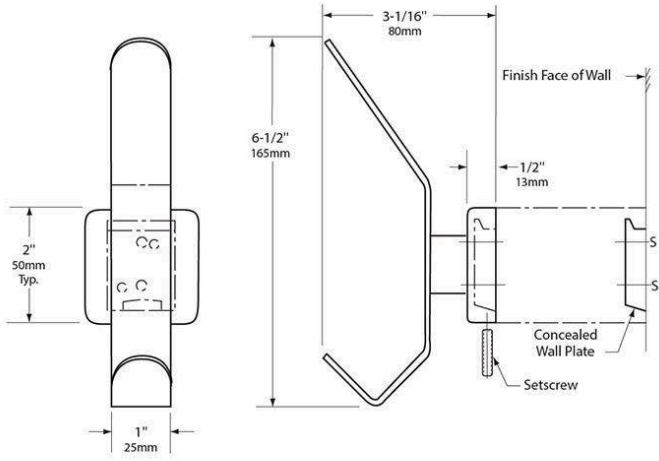
ADDITIONAL IMAGES



Bobrick B682 Hat and Coat Hook - Polished Stainless Steel

Scan to view online and for additional product information , or call us on **1800 555 600**.

Print Date: 21/5/25



Bobrick B682 Hat and Coat Hook - Polished Stainless Steel

Scan to view online and for additional product information , or call us on **1800 555 600**.

Print Date: 21/5/25