



# Sabre 300x65mm Push Pull Plate Set Visible Fix with 150mm D Pull Handle - Satin Stainless Steel

**SKU** SAB-PPSET-VIS65-SSS

**MPN** SAB-PPSET-VIS65-SSS



## DESCRIPTION

### Sabre 300x65 External 150mm Pull Handle Push/Pull Plate Set Satin Stainless Steel

Dimensions - 300mm L x 65mm W x 2mm T  
Suits 35 - 45mm doors  
Includes 150mm x 16mm diameter pull handle  
Material - 304 stainless steel  
AS1428 Compliant  
10 year manufacturer's warranty

## SPECIFICATION

<b>MPN</b>	SAB-PPSET-VIS65-SSS
<b>Brand</b>	Sabre
<b>Product Length</b>	300mm
<b>Projection or Length</b>	53mm
<b>Product Diameter</b>	16mm
<b>Product Thickness</b>	2mm
<b>Plate Width</b>	65mm
<b>Plate Height</b>	300mm
<b>Product Finish or Colour</b>	Satin Stainless Steel (SSS)
<b>Product Material</b>	304 Stainless Steel
<b>Includes Fixing Screws</b>	Yes
<b>AS1428.1 Compliant</b>	Yes
<b>Fire Tested</b>	Yes
<b>Suitable for Door Type</b>	Timber Doors, Aluminium Doors
<b>D Pull Length</b>	166mm
<b>Fixing</b>	Visible Fixed
<b>Finger Clearance</b>	37mm
<b>Max Door Thickness</b>	45mm
<b>Product Warranty</b>	10 Years Finish

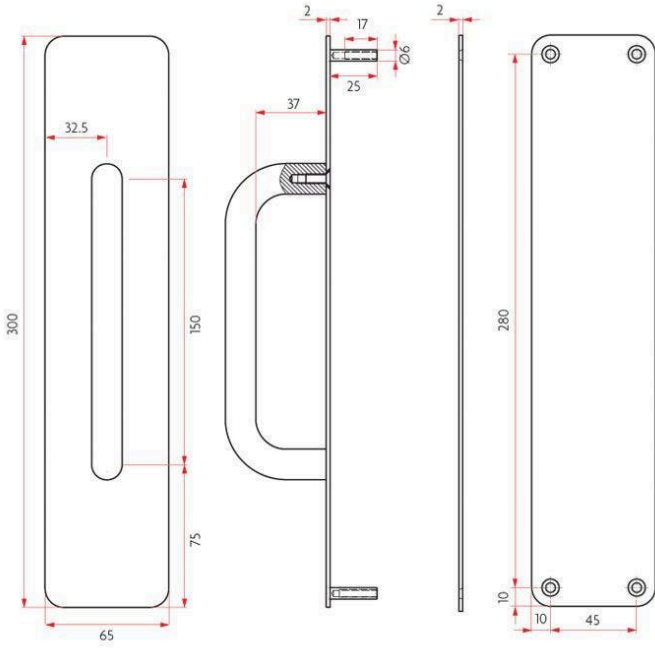
## ADDITIONAL IMAGES



**Sabre 300x65mm Push Pull Plate Set Visible Fix with 150mm D Pull Handle - Satin Stainless Steel**

Scan to view online and for additional product information , or call us on **1800 555 600**.

Print Date: 26/4/24



**Sabre 300x65mm Push Pull Plate Set Visible Fix with 150mm D Pull Handle - Satin Stainless Steel**  
Scan to view online and for additional product information , or call us on **1800 555 600**.

Print Date: 26/4/24