



Sabre 300x65mm Push Pull Plate Set Concealed Fix with 150mm D Pull Handle - Satin Stainless Steel

SKU SAB-PPSET-CON65-SSS

MPN SAB-PPSET-CON65-SSS



DESCRIPTION

Sabre 300x65 Internal 150mm Pull Handle Push/Pull Plate Set Satin Stainless Steel

Dimensions - 300mm L x 65mm W x 2mm T
 Suits 35 - 45mm doors
 Includes 150mm x 16mm diameter pull handle
 Material - 304 stainless steel
 AS1428 Compliant
 10 year manufacturer's warranty

SPECIFICATION

MPN	SAB-PPSET-CON65-SSS
Brand	Sabre
Product Length	300mm
Projection or Length	53mm
Product Diameter	16mm
Product Thickness	2mm
Plate Width	65mm
Plate Height	300mm
Product Finish or Colour	Satin Stainless Steel (SSS)
Product Material	304 Stainless Steel
Includes Fixing Screws	Yes
AS1428.1 Compliant	Yes
Fire Tested	Yes
Suitable for Door Type	Timber Doors, Aluminium Doors
D Pull Length	166mm
Fixing	Concealed Fixed
Finger Clearance	37mm
Max Door Thickness	45mm
Product Warranty	10 Years Finish

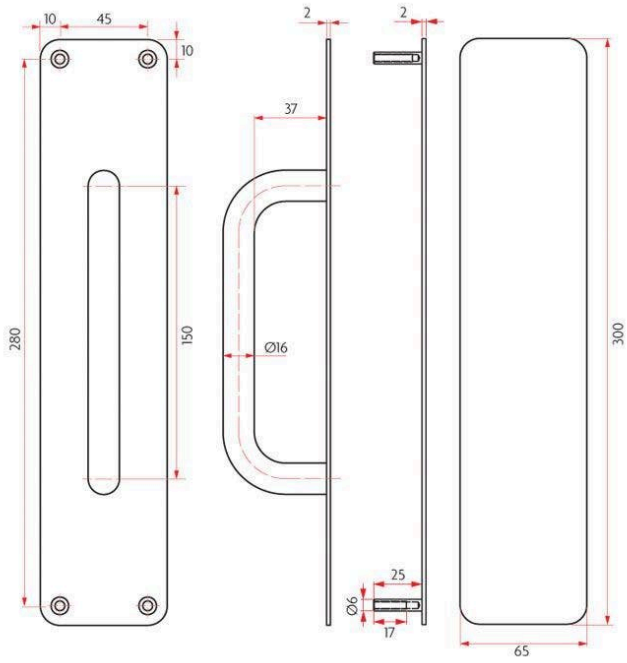
ADDITIONAL IMAGES



Sabre 300x65mm Push Pull Plate Set Concealed Fix with 150mm D Pull Handle - Satin Stainless Steel

Scan to view online and for additional product information , or call us on **1800 555 600**.

Print Date: 24/4/24



Sabre 300x65mm Push Pull Plate Set Concealed Fix with 150mm D Pull Handle - Satin Stainless Steel
Scan to view online and for additional product information , or call us on **1800 555 600**.

Print Date: 24/4/24