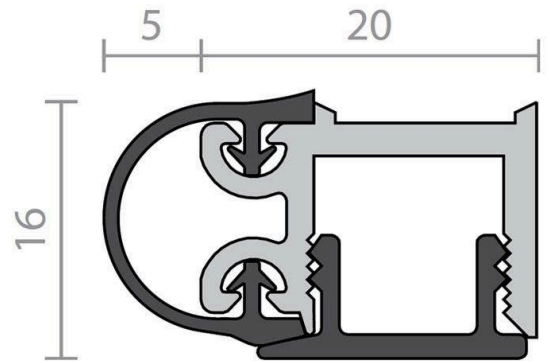




Raven RP84SI Perimeter Seal - 3000mm - Clear Anodised Aluminium

SKU RP84SI-3000CA

MPNA84SIC3000



DESCRIPTION

This medium temperature smoke seal is designed specifically for clean room and health care facilities. RP84Si has an easy clean smooth bulb which also contains an antimicrobial additive for maximum protection against surface bacteria. RP84Si significantly reduces sound transmission and helps prevent the movement of airborne contaminants allowing for controlled air ventilation. The RP84Si is ideal for use in conjunction with Raven door bottom seals and astragals.

Location: Head and jambs of single and double butt hinged doors.

Min/Max Gap: 0mm to 7mm.

Finish: Satin clear (silver) anodised aluminium (15micron) or paint at extra cost.

Fixing: Concealed screw fix. Zinc plated, cross recess head S.T. screws and cover strip supplied.

Seal: RP384Si. Black silicon rubber (SE).

Sizes: Available in door set sizes or stock lengths.

Approvals

UL Cert. GVYI.R37913.

Acoustic AUS/NZ: NCC Spec. F5.5.

UK/EU: Approved Document E. Rated to BS EN ISO 717.1.

Fire FRL & FRR-/240/30 and FD240.Fire Approved

Gasket flammability index 1 when tested to AS1530.2.

Smoke NCC Spec. C3.4. AS1530.7 & BS EN 1634-3. Meets smoke leakage rates specified in AS6905 & EN 13501-2 "Sa", "Sm".

Energy NCC Pt. 3.12.3.3 & J3.4.

SPECIFICATION