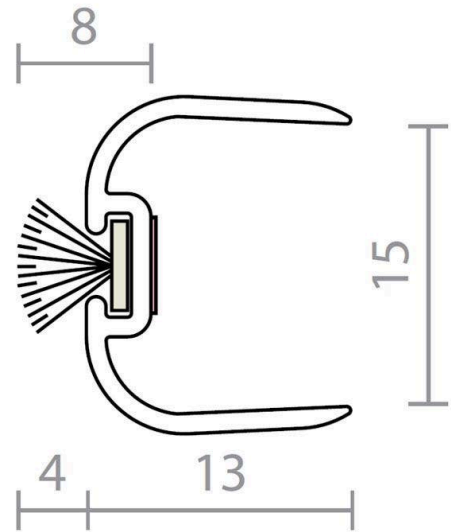




Raven RP42 Astragal for Frameless Glass - 3000mm - Clear Polycarbonate

SKU RP42-3000

MPNA423000



DESCRIPTION

Clear polycarbonate astragal and perimeter seals specifically designed for frameless glass doors. The woven pile sealing strip is combined with a weather fin to form an effective weather and energy seal.

Use in conjunction with Raven brush strip door bottom seals RP2b, RP74 and threshold plates.

Location: Meeting stiles of 15mm thick frameless glass doors.

Min/Max Gap: 7mm to 8mm (prior to installation).

Fixing: Self adhesive.

Note: Contact surface must be clean, smooth and if painted, well cured.

Seal: Clear high impact UV stabilised polycarbonate body with black polypropylene pile with weather fin.

Sizes: 3000mm.

Approvals

Energy NCC Pt. 3.12.3.3 & J3.4.

SPECIFICATION

MPN	A423000
Brand	Raven
Product Height	15mm
Product Length	3000mm
Door Seal Length	3000mm
Product Thickness	17mm
Product Finish or Colour	Clear / Transparent (CLR)
Product Material	Polycarbonate
Includes Fixing Screws	No
Fire Tested	No
Acoustic Rated to AS1191 and ISO140.3	No
Suitable for Smoke Doors	Yes
Suitable for Door Type	Glass Doors
Bush Fire Attack Level	BAL <29
Contains Intumescent Material	No
Seal Can Be Installed	Rebated
Brush / Gasket Length	4mm

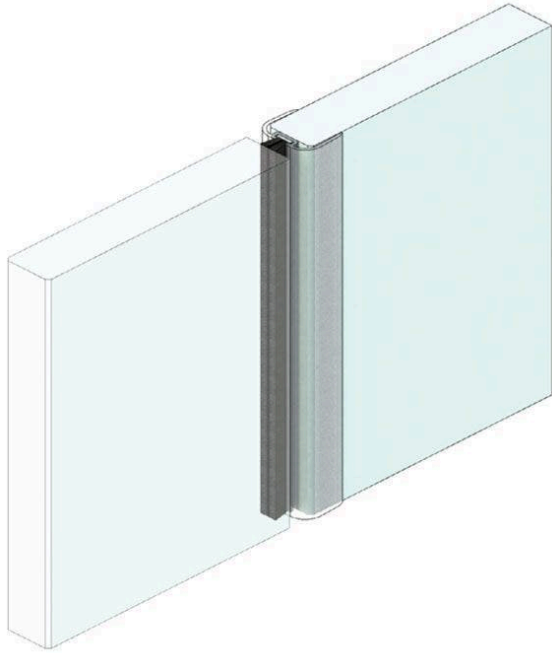


Raven RP42 Astragal for Frameless Glass - 3000mm - Clear Polycarbonate
Scan to view online and for additional product information, or call us on **1800 555 600**.

Print Date: 26/4/24

Gasket Material	Polypropylene Pile
Max Door Gap	8mm
Self Adhesive	Yes
Product Warranty	2 Years

ADDITIONAL IMAGES



Raven RP42 Astragal for Frameless Glass - 3000mm - Clear Polycarbonate
Scan to view online and for additional product information , or call us on **1800 555 600**.

Print Date: 26/4/24