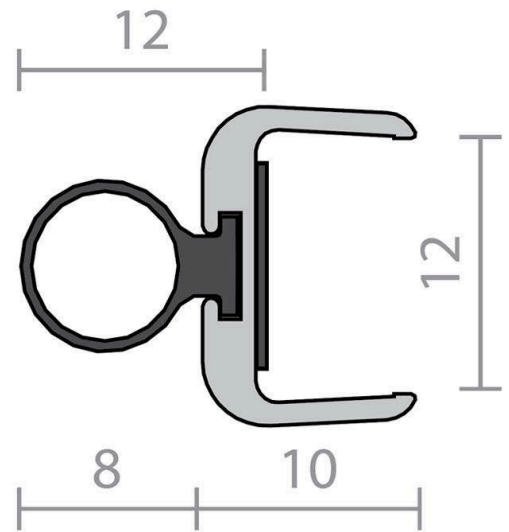




Raven RP79H Astragal for Frameless Glass - 3000mm - Clear Anodised Aluminium

SKU RP79H-3000CA

MPNA79HC3000



DESCRIPTION

Aluminium astragal seals designed for frameless glass doors. RP79H utilises a gasket for medium temperature smoke door applications. Use in conjunction with Raven brush strip door bottom seals RP2b, RP74 and threshold plates.

Location: Meeting stiles of 12mm thick frameless glass doors.

Min/Max Gap: 8mm to 12mm (prior to installation).

Finish: Satin clear (silver) anodised aluminium (15micron).

Fixing: Self adhesive.

Note: Contact surface must be clean, smooth and if painted, well cured.

Seal: RP640. Black TPE.

Sizes: Available in stock lengths.

Approvals

Energy NCC Pt. 3.12.3.3 & J3.4.

SPECIFICATION

MPN	A79HC3000
Brand	Raven
Product Width	12mm
Door Seal Length	3000mm
Product Length	3000mm
Product Thickness	14mm
Product Finish or Colour	Clear Anodised (CA)
Product Material	Aluminium
Includes Fixing Screws	No
Fire Tested	No
Acoustic Rated to AS1191 and ISO140.3	No
Suitable for Smoke Doors	Yes
Suitable for Door Type	Glass Doors
Bush Fire Attack Level	BAL<29
Contains Intumescent Material	No
Seal Can Be Installed	Surface Fix
Gasket / Seal Colour	Transparent
Gasket Material	Polypropylene

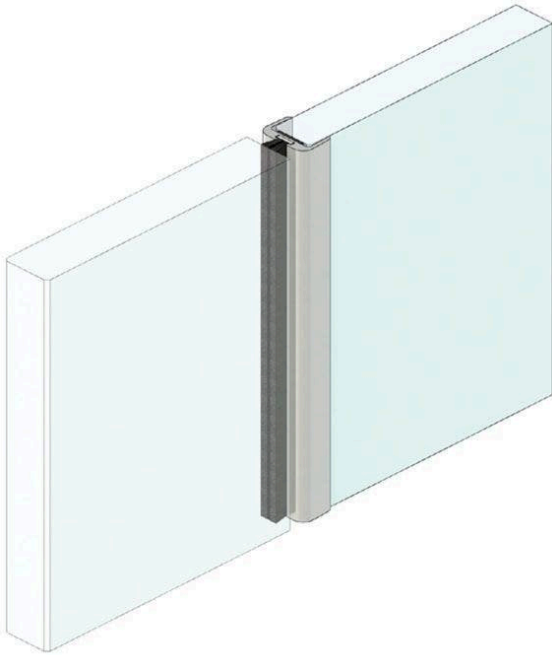


Raven RP79H Astragal for Frameless Glass - 3000mm - Clear Anodised Aluminium
Scan to view online and for additional product information , or call us on **1800 555 600**.

Print Date: 27/4/24

Min Door Gap	8mm
Max Door Gap	9mm
Self Adhesive	Yes
Product Warranty	2 Years

ADDITIONAL IMAGES



Raven RP79H Astragal for Frameless Glass - 3000mm - Clear Anodised Aluminium
Scan to view online and for additional product information , or call us on **1800 555 600**.

Print Date: 27/4/24