



Metlam Designer 120 Series Aluminium Heavy Duty Leg - Black - 100mm

SKU ML120ALUM-100-BLK

MPN DESIGNER_120ALUM_100



DESCRIPTION

Metlam Designer 120 Series Aluminium Heavy Duty Leg - Black - 100mm

Lenght 100mm with 10mm adjustment (110mm Max)

Anodised satin black finish

SPECIFICATION

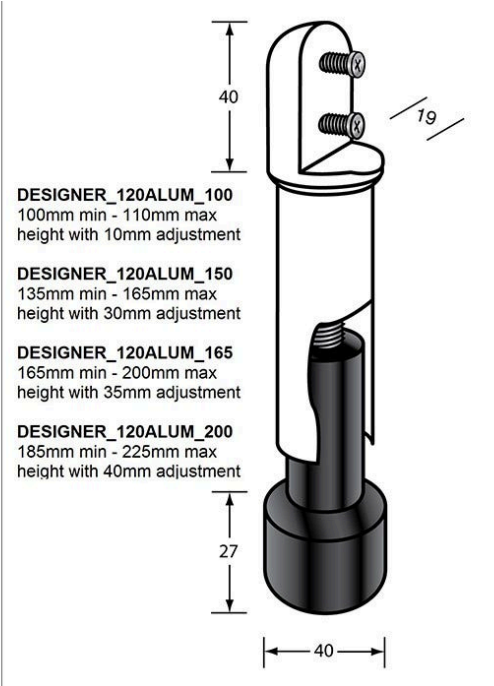
MPN	DESIGNER_120ALUM_100
Brand	Metlam
Product Diameter	39mm
Product Finish or Colour	Black (BLK)
Product Material	Aluminium
Includes Fixing Screws	Yes
Product Warranty	1 Year

ADDITIONAL IMAGES



Metlam Designer 120 Series Aluminium Heavy Duty Leg - Black - 100mm
Scan to view online and for additional product information , or call us on **1800 555 600**.

Print Date: 25/4/24



Metlam Designer 120 Series Aluminium Heavy Duty Leg - Black - 100mm
Scan to view online and for additional product information , or call us on **1800 555 600**.

Print Date: 25/4/24